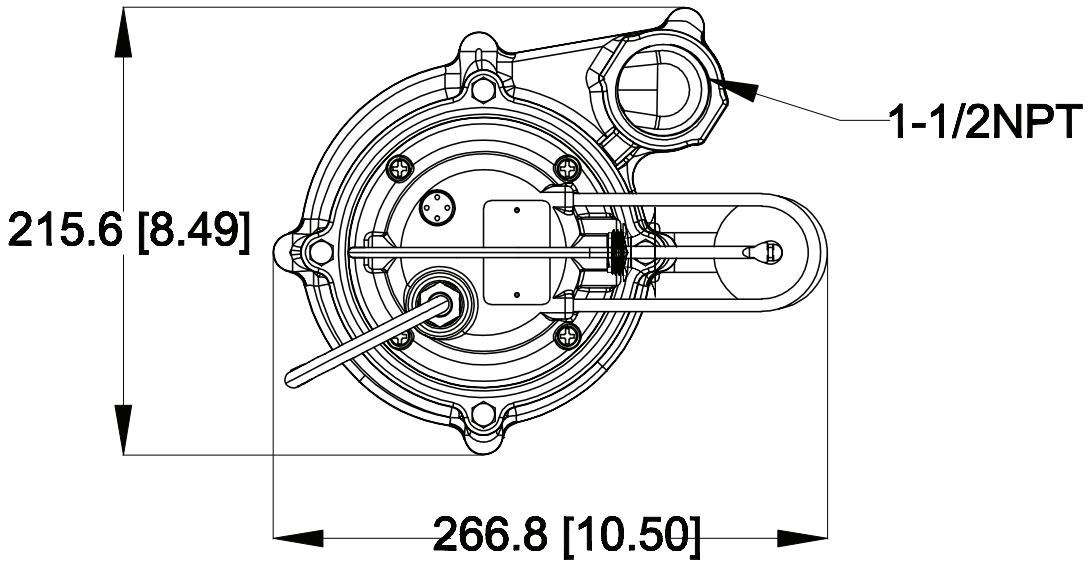
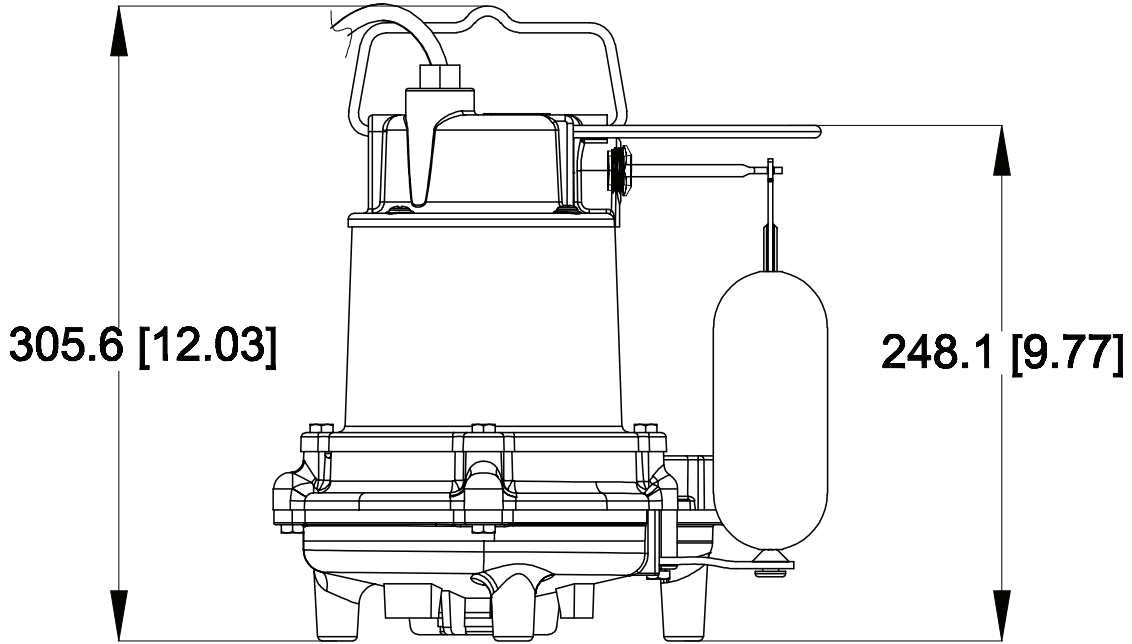


SUMP PUMPS

**SPV33 Dimensional Data**



P U M P

*Honest, Professional, Dependable*

1899 Cottage Street, Ashland, Ohio 44805  
Telephone: 855 281-6830 · Fax: 877 326-1994 · ashlandpump.com