

SOLIDS HANDLING PUMPS

Model: 3ANC750



Physical Data:

DISCHARGE SIZE	3"
IMPELLER TYPE	Single Vane Enclosed
CABLE LENGTH	35'

Liquid Handling:

SOLIDS HANDLING	3"
MAXIMUM LIQUID TEMP.	140°F – Intermittent 104°F – Continuous
ACCEPTABLE PH RANGE	6-8

Temperature:

WINDING INSULATION	155°C
INSULATION CLASS	F

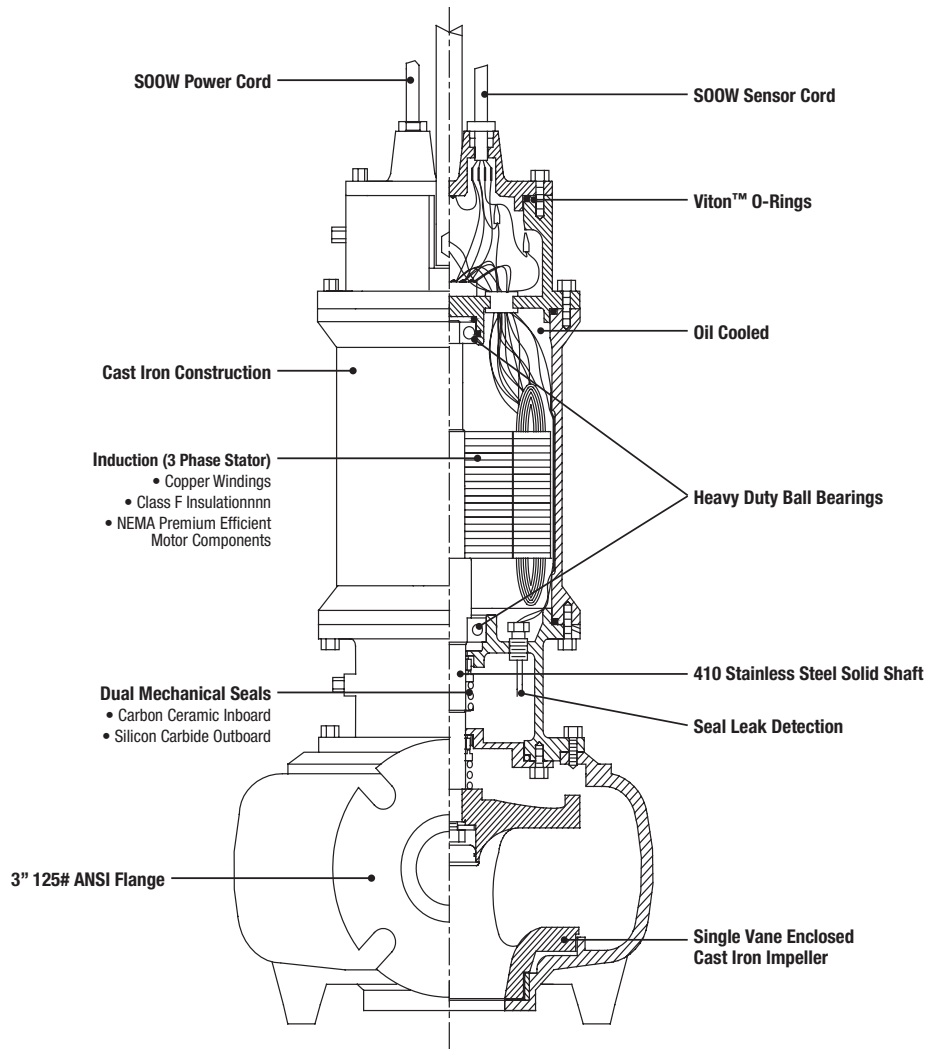
Technical Data:

POWER CORD TYPE	S00W
SENSOR CORD TYPE	S00W
MOTOR HOUSING	Cast Iron
CASING	Cast Iron
IMPELLER	Cast Iron
MOTOR SHAFT	410 SS
HARDWARE	SST
"O" RINGS	Viton™
MECHANICAL SEALS	Inboard Mechanical Seal: Carbon-ceramic Outboard Mechanical Seal: Silicon-carbide
UPPER BEARING	6304
LOWER BEARING	6207

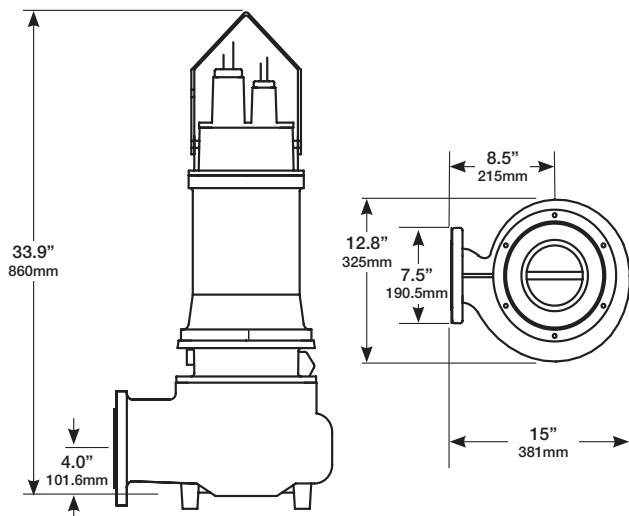
Electrical Data:

R.P.M.	1750
MOTOR TYPE	Squirrel-cage induction
GEN INSULATION CLASS	F
STATOR WINDING CLASS	F
WINDING INSULATION TEMP	155°C
VOLTAGE TOLERANCE	±10%
HP	7.5
VOLTAGE	230/460
PHASE	3
SERVICE FACTOR	1.0

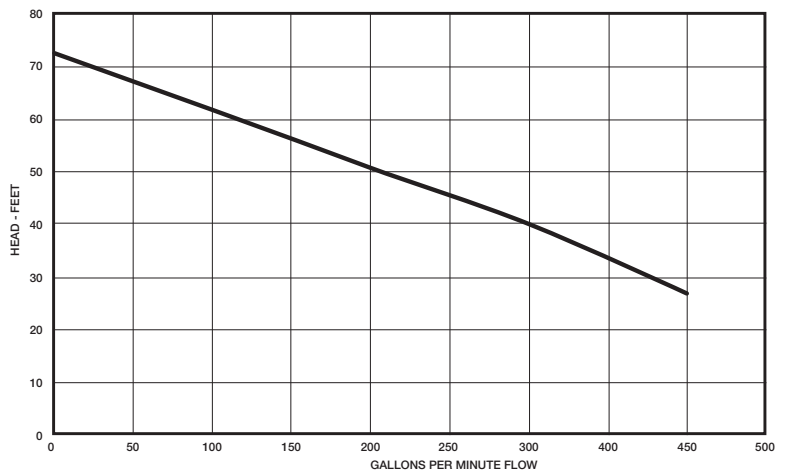
MODEL	HP	HZ	VOLTS/PH	RPM	FULL LOAD AMPS	NEMA START CODE	CORD TYPE	CORD SIZE	CORD O.D.	POTENTIAL RELAY	START CAPACITOR	RUN CAPACITOR
3ANC750M3	5	60	230/3	1750	21	K	S00W	10AWG	.72	N/A	N/A	N/A
3ANC750M4	5	60	460/3	1750	10.5	K	S00W	10AWG	.72	N/A	N/A	N/A



Dimensions



Performance Curve



P U M P

Honest, Professional, Dependable

1899 Cottage Street, Ashland, Ohio 44805

Telephone: 855 281-6830 • Fax: 877 326-1994 • ashlandpump.com