

SOLIDS HANDLING PUMPS  
**Model: 4ANC3000**



**Physical Data:**

DISCHARGE SIZE	4"
IMPELLER TYPE	2 Vane Enclosed
CABLE LENGTH	35'

**Liquid Handling:**

SOLIDS HANDLING	2-1/2"
MAXIMUM LIQUID TEMP.	140°F – Intermittent 104°F - Continuous
ACCEPTABLE PH RANGE	6-8

**Temperature:**

WINDING INSULATION	155°C
INSULATION CLASS	F

**Technical Data:**

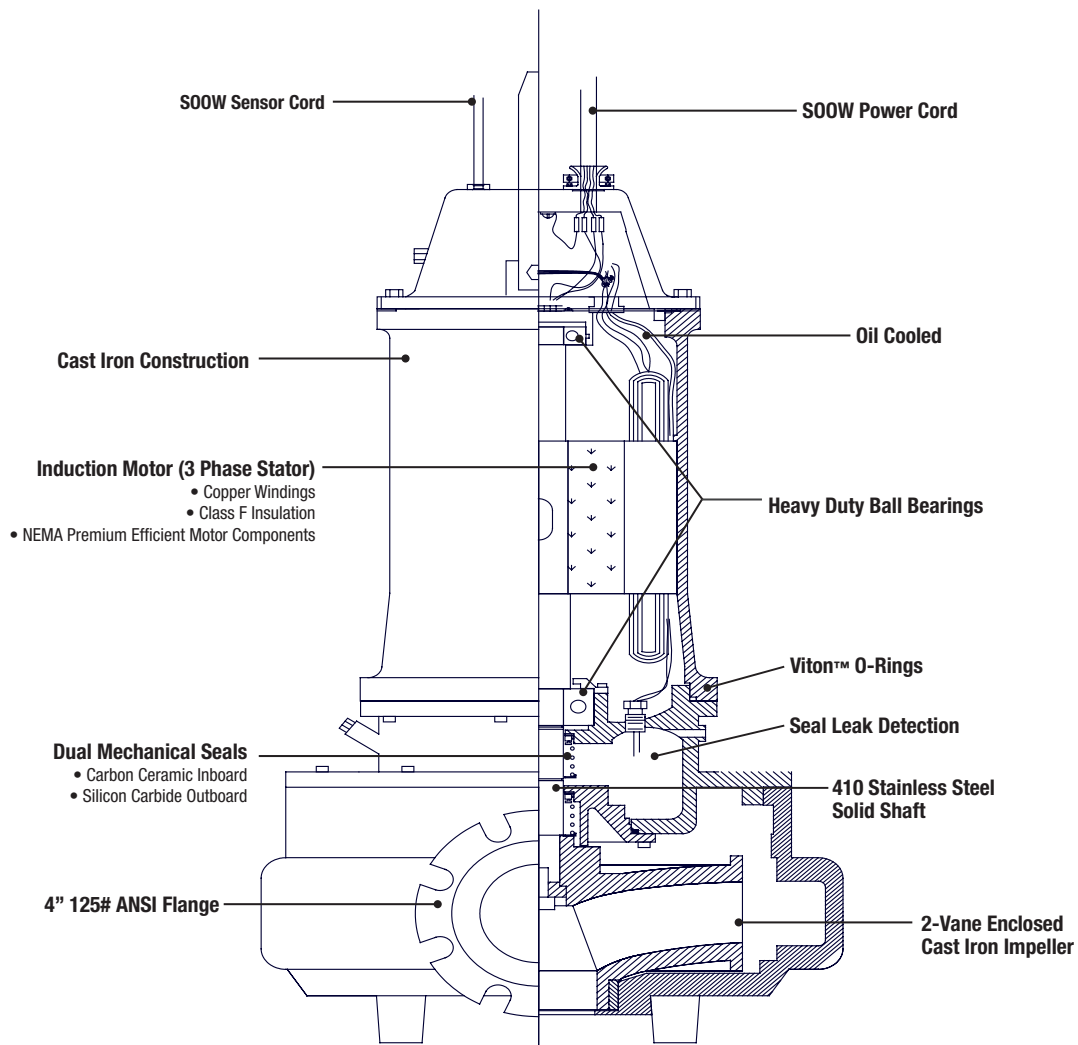
POWER CORD TYPE	S00W
SENSOR CORD TYPE	S00W
MOTOR HOUSING	Cast Iron
CASING	Cast Iron
IMPELLER	Cast Iron
MOTOR SHAFT	410SS
HARDWARE	SST
"O" RINGS	Viton™
MECHANICAL SEALS	Inboard Mechanical Seal: Carbon ceramic Outboard Mechanical Seal: Silicon-carbide
UPPER BEARING	6209
LOWER BEARING	3309

**Electrical Data:**

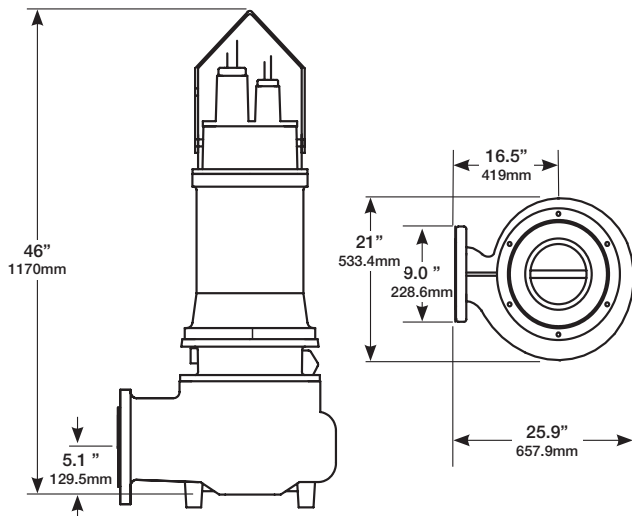
R.P.M.	1750
MOTOR TYPE	Induction (3PH)
GEN INSULATION CLASS	F
STATOR WINDING CLASS	F
WINDING INSULATION TEMP	155°C
VOLTAGE TOLERANCE	±10%
HP	30
VOLTAGE	230/460
PHASE	3
SERVICE FACTOR	1.0

MODEL	HP	HZ	VOLTS/PH	RPM	FULL LOAD AMPS	NEMA START CODE	CORD TYPE	CORD SIZE	CORD O.D.	POTENTIAL RELAY	START CAPACITOR	RUN CAPACITOR
4ANC3000M3	30	60	230/3	1750	76	G	S00W	6AWG	1.08	N/A	N/A	N/A
4ANC3000M4	30	60	460/3	1750	38	G	S00W	6AWG	1.08	N/A	N/A	N/A

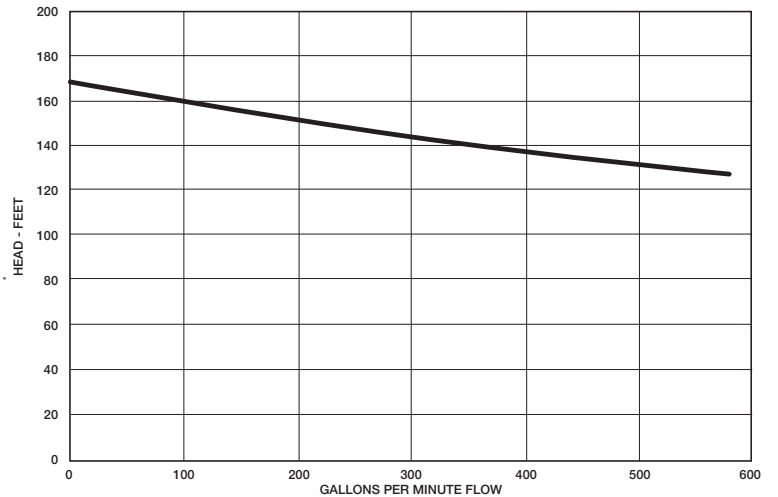
## Features



## Dimensions



## Performance Curve



**Ashland**

P U M P

*Honest, Professional, Dependable*

1899 Cottage Street, Ashland, Ohio 44805

Telephone: 855 281-6830 • Fax: 877 326-1994 • ashlandpump.com