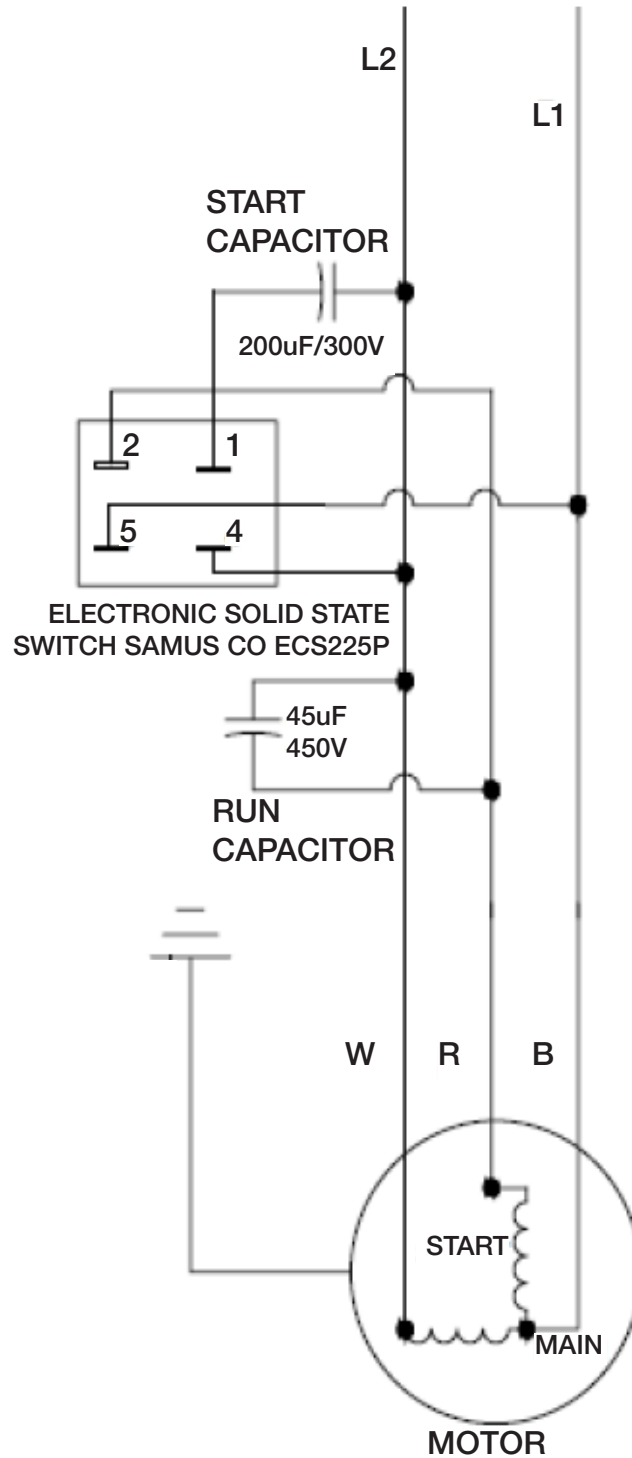


GRINDER PUMPS

AGP-HC200M2/5 Connection Diagram for External Wiring



P U M P

Honest, Professional, Dependable

1899 Cottage Street, Ashland, Ohio 44805

Telephone: 855 281-6830 · Fax: 877 326-1994 · ashlandpump.com