

SEWAGE PUMPS

Model: SWH500



Features

- Heavy duty cast iron construction
- Oil-filled continuous duty PSC motor (1Ph) and Induction motor (3Ph)
- 9 Vane vortex cast iron impeller
- 3" solids handling

Specifications

Physical Data:

DISCHARGE SIZE	3" NPT
IMPELLER TYPE	9 Vane Vortex - Cast Iron
CABLE LENGTH	20'

Liquid Handling:

SOLIDS SIZE	3"
MAXIMUM LIQUID TEMP.	104°F – Intermittent
ACCEPTABLE PH RANGE	6-8

Technical Data:

MOTOR HOUSING	Cast Iron
CASING	Cast Iron
IMPELLER	Cast Iron
MOTOR SHAFT	SS416
HARDWARE	SS
"O" RINGS	NBR
SEALS	Mechanical, Carbon Ceramic
UPPER BEARING	6203
LOWER BEARING	6206

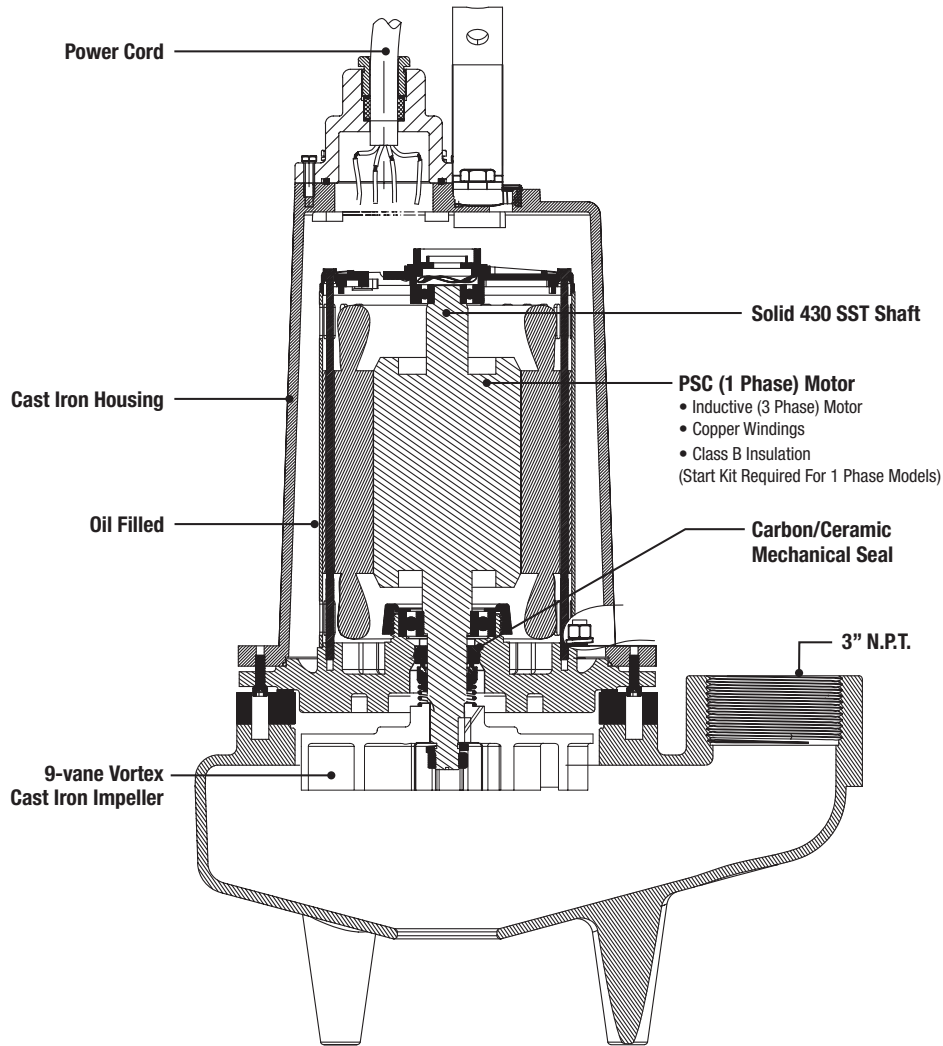
Electrical Data:

R.P.M.	1750
MOTOR TYPE	PSC/Induction
GEN INSULATION CLASS	B
STATOR WINDING CLASS	B
MAXIMUM STATOR TEMP	130°C
VOLTAGE TOLERANCE	±10%
MOTOR PROTECTION	Thermally Protected
HP	5
VOLTAGE	208/230/460
PHASE	1/3
SERVICE FACTOR	1

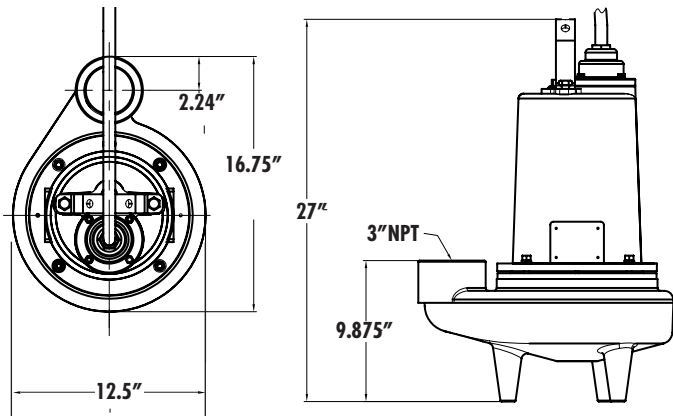
Specifications

Model	HP	Hz	Volts/Ph	RPM	Full Load Amps	Nema Start Code	Cord Type	Cord Power Size	Cord O.D.
SWH500M2-20	5	60	230/1	1750	40.0	D	SOW	6AWG/4C	1.2
SWH500M3-20	5	60	230/3	1750	23.6	D	SOW	12AWG/4C	0.7
SWH500M4-20	5	60	460/3	1750	11.8	D	SOW	12AWG/4C	0.7
SWH500M5-20	5	60	208/1	1750	46.0	D	SOW	6AWG/4C	1.2
SWH500M6-20	5	60	208/3	1750	24.0	D	SOW	12AWG/4C	0.7

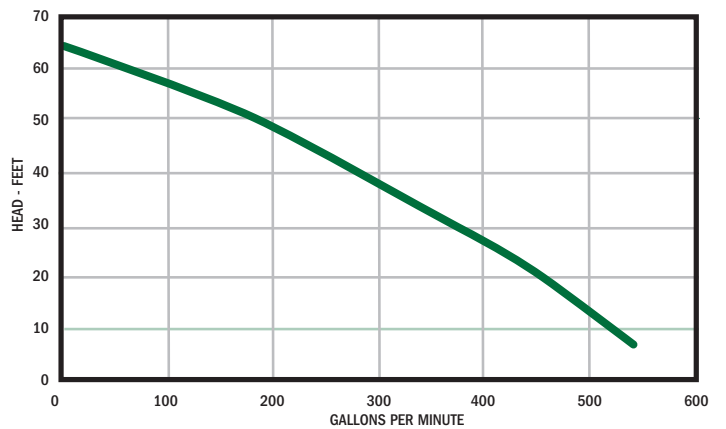
Features



Dimensions



Performance Curve



P U M P

Honest, Professional, Dependable

1899 Cottage Street, Ashland, Ohio 44805

Telephone: 855 281-6830 • Fax: 877 326-1994 • ashlandpump.com