

GRINDER PUMPS

Model: AGP300



Features

- Heavy duty cast iron construction
- Dual mechanical silicon carbide seals
- Brass, 10 vane vortex impeller
- Quick change power cords
- Viton o-rings
- Double Row Angular contact lower bearing
- Seal leak detection

Specifications

Physical Data:

DISCHARGE SIZE	2-1/2"
IMPELLER TYPE	10-Vane, Vortex- Brass
CABLE LENGTH	35'

Liquid Handling:

SOLIDS COMPOSITION	1/2"
MAXIMUM LIQUID TEMP.	140°F – Intermittent 104°F - Continuous
ACCEPTABLE PH RANGE	6-8

Temperature:

WINDING INSULATION	180°C
INSULATION CLASS	H

Technical Data:

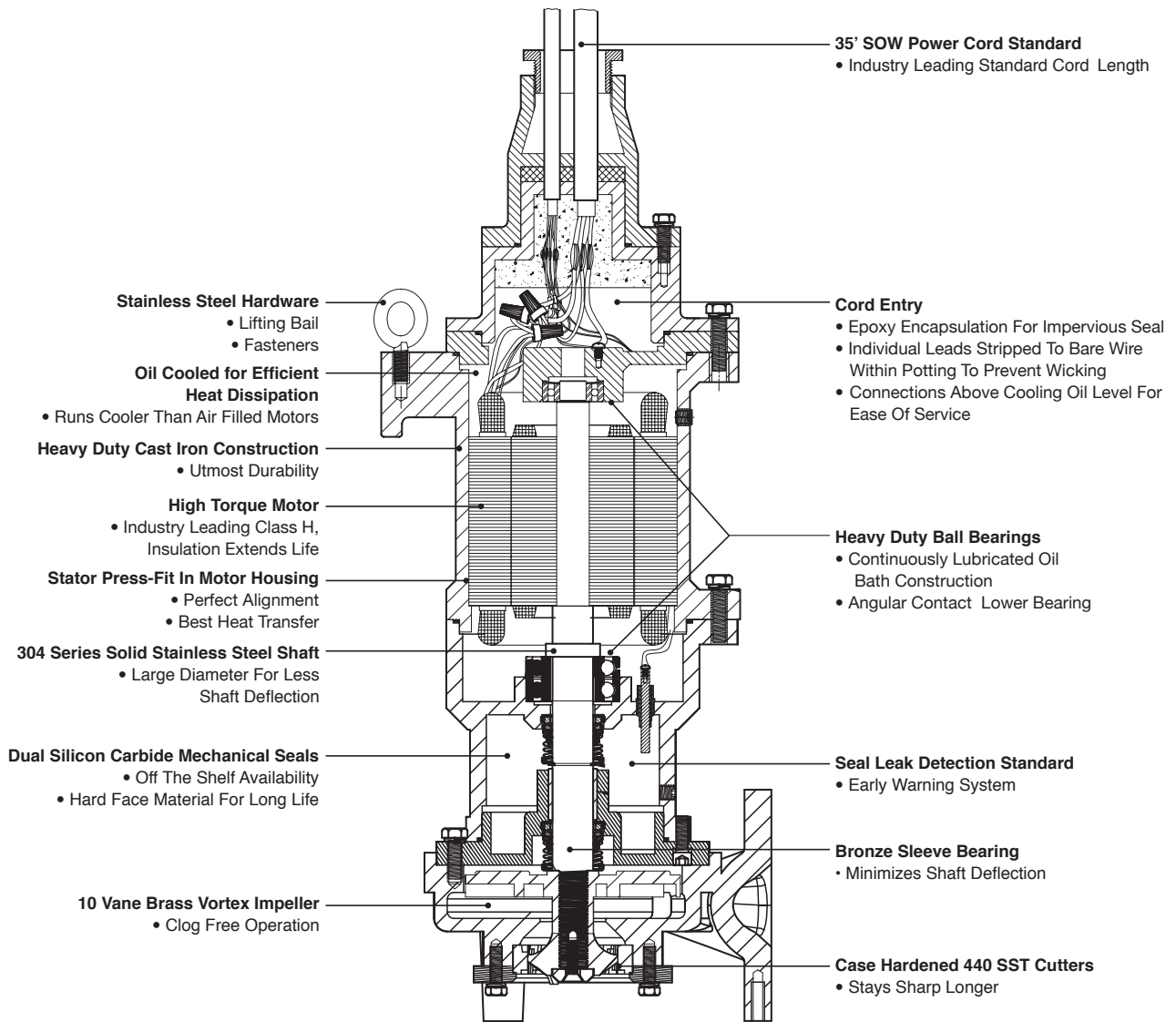
SENSOR CORD TYPE	18AWG
MOTOR HOUSING	Cast Iron
CASING	Cast Iron
IMPELLER	Brass
MOTOR SHAFT	304SS
HARDWARE	SS
"O" RINGS	Viton
MECHANICAL SEALS	SiC
UPPER BEARING	6204
LOWER BEARING	3207 Angular Contact (double row)
CUTTERS	440SST - Case Hardened
MOTOR WINDINGS	Copper

Electrical Data:

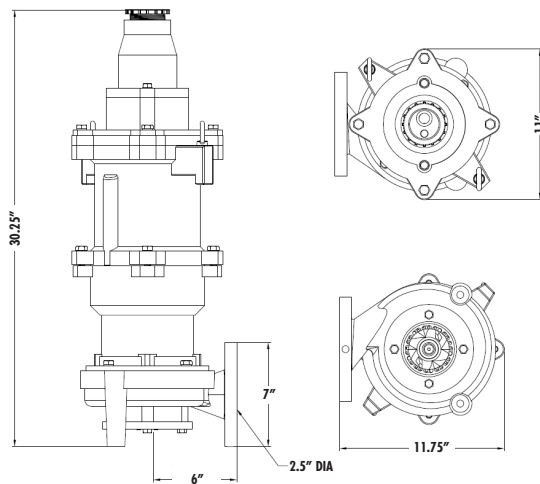
R.P.M.	3450
MOTOR TYPE	CSCR (1PH), Induction (3PH)
GEN INSULATION CLASS	H
STATOR WINDING CLASS	H
WINDING INSULATION TEMP	180°C
VOLTAGE TOLERANCE	±10%
HP	3
VOLTAGE	208/230/460
PHASE	1/3
SERVICE FACTOR	1.4



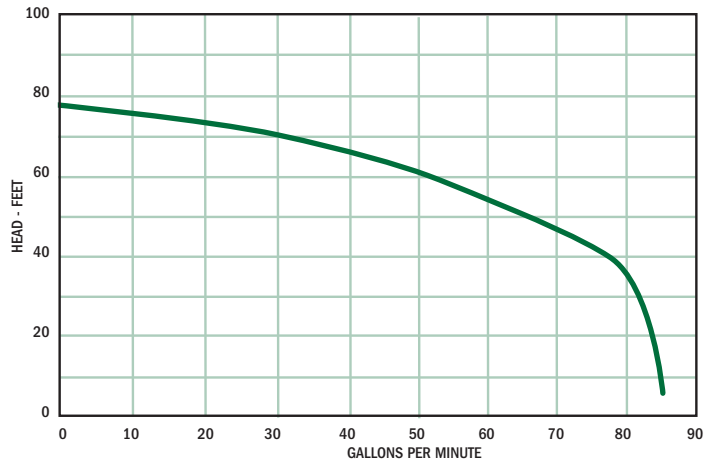
MODEL	HP	HZ	VOLTS/PH	RPM	FULL LOAD AMPS	NEMA START CODE	CORD TYPE	CORD SIZE	CORD O.D.	POTENTIAL RELAY	START CAPACITOR	RUN CAPACITOR
AGP300M2-35	3	60	230/1	3450	23.1	G	SOW	12 AWG/4C	.68	CONT. COIL VOLTAGE: 500 V LICK-UP MAX: 300V DROP-OUT MAX: 135 V	108-130UF-250 VAC	30UF +/-5%-370 VAC
AGP300M3-35	3	60	230/3	3450	14.3	M	SOW	14 AWG/4C	.59	N/A	N/A	N/A
AGP300M4-35	3	60	460/3	3450	7.1	M	SOW	14 AWG/4C	.59	N/A	N/A	N/A
AGP300M5-35	3	60	208/1	3450	26	G	SOW	12 AWG/4C	.68	CONT. COIL VOLTAGE: 500 V LICK-UP MAX: 300V DROP-OUT MAX: 135 V	108-130UF-250 VAC	30UF +/-5%-370 VAC
AGP300M6-35	3	60	208/3	3450	14	M	SOW	14AWG/4C	.59	N/A	N/A	N/A



Dimensions



Performance Curve



Ashland

P U M P

Honest, Professional, Dependable

1899 Cottage Street, Ashland, Ohio 44805

Telephone: 855 281-6830 • Fax: 877 326-1994 • ashlandpump.com