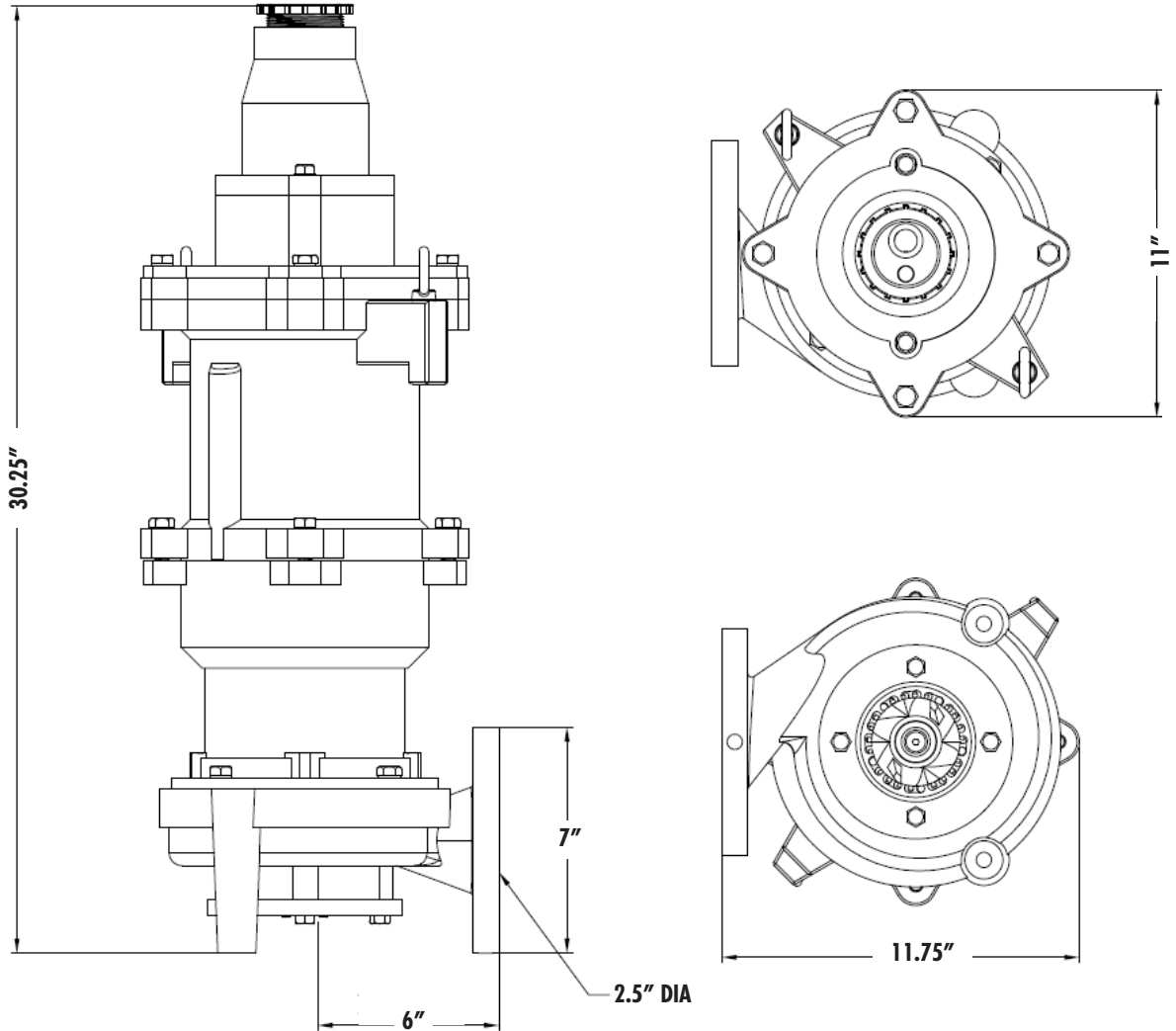


GRINDER PUMPS  
**AGP750** Dimensional Data



P U M P

*Honest, Professional, Dependable*

1899 Cottage Street, Ashland, Ohio 44805

Telephone: 855 281-6830 • Fax: 877 326-1994 • [ashlandpump.com](http://ashlandpump.com)