

SOLIDS HANDLING PUMPS

Model: ANC1500



Physical Data:

| | |
|----------------|------------------------------|
| DISCHARGE SIZE | 4" |
| IMPELLER TYPE | 2-Vane, Enclosed - Cast Iron |
| CABLE LENGTH | 35' |

Liquid Handling:

| | |
|----------------------|--|
| SOLIDS HANDLING | 3" |
| MAXIMUM LIQUID TEMP. | 140°F – Intermittent 104°F - Continuous |
| ACCEPTABLE PH RANGE | 6-8 |

Temperature:

| | |
|--------------------|-------|
| WINDING INSULATION | 180°C |
| INSULATION CLASS | H |

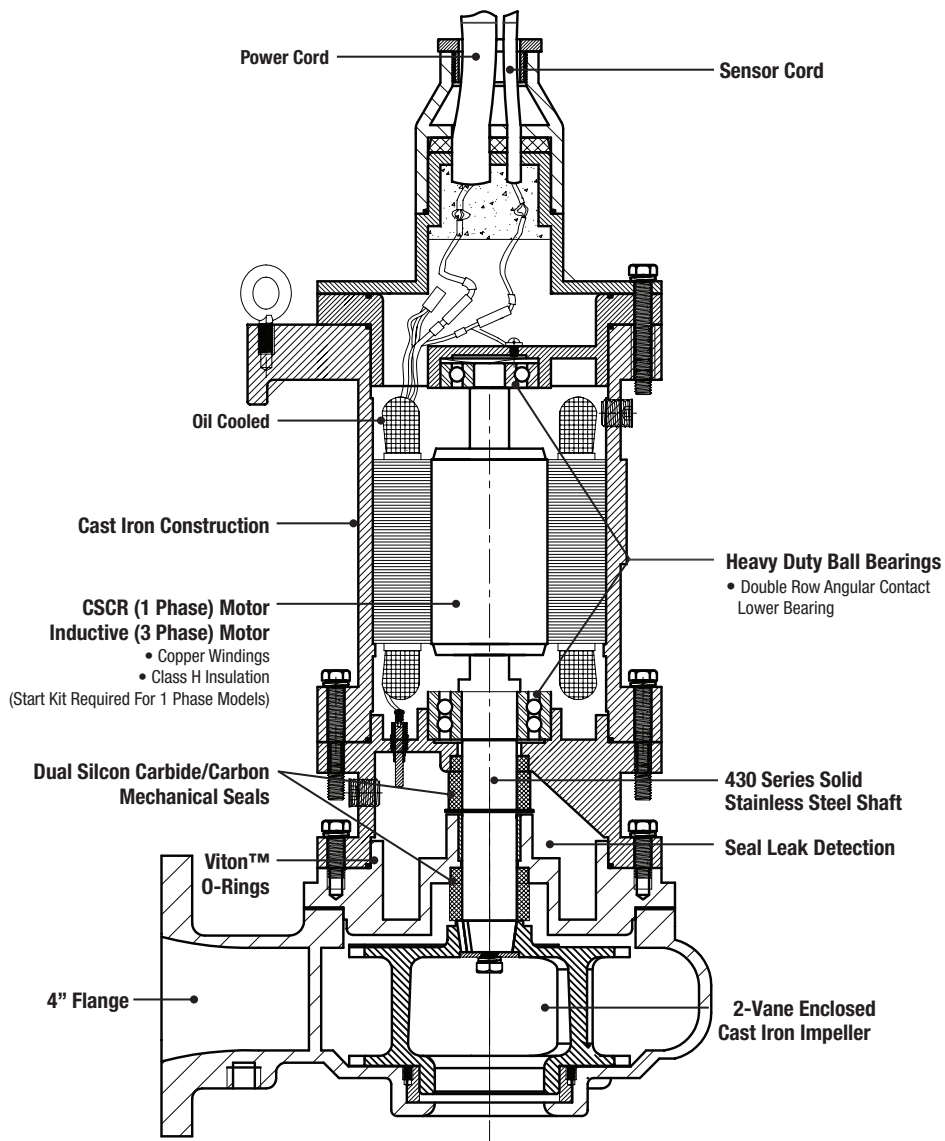
Technical Data:

| | |
|------------------|------------------------|
| POWER CORD TYPE | SOW |
| SENSOR CORD TYPE | 18AWG |
| MOTOR HOUSING | Cast Iron |
| CASING | Cast Iron |
| IMPELLER | Cast Iron |
| MOTOR SHAFT | 416SUS |
| HARDWARE | SS |
| "O" RINGS | Viton™ |
| MECHANICAL SEALS | SiC Dual mechanical |
| UPPER BEARING | 6305 |
| LOWER BEARING | 5309 Angular Contact |
| CUTTERS | 440SST - Case Hardened |

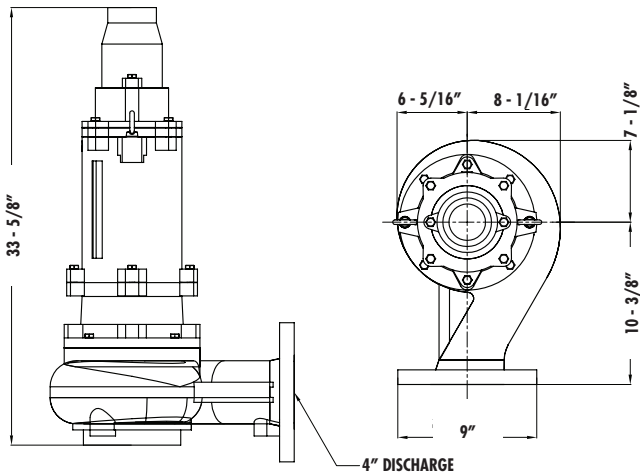
Electrical Data:

| | |
|-------------------------|-----------------------------|
| R.P.M. | 1750 |
| MOTOR TYPE | CSCR (1PH), Induction (3PH) |
| GEN INSULATION CLASS | H |
| STATOR WINDING CLASS | H |
| WINDING INSULATION TEMP | 180°C |
| VOLTAGE TOLERANCE | ±10% |
| HP | 15 |
| VOLTAGE | 230/460 |
| PHASE | 1/3 |
| SERVICE FACTOR | 1.42 |

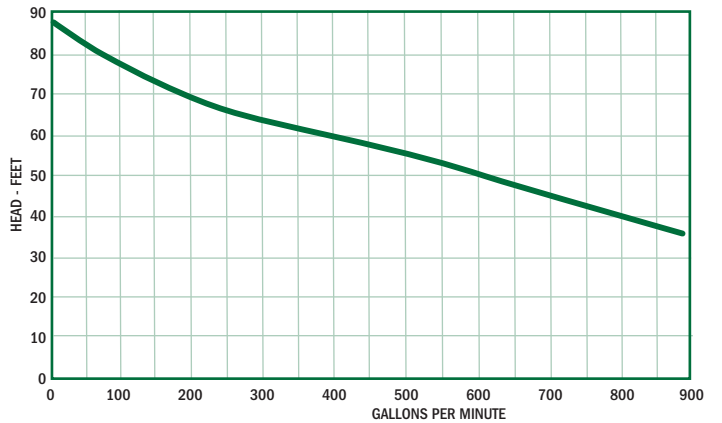
| MODEL | HP | HZ | VOLTS/PH | RPM | FULL LOAD AMPS | NEMA START CODE | CORD TYPE | CORD SIZE | CORD O.D. | POTENTIAL RELAY | START CAPACITOR | RUN CAPACITOR |
|--------------|----|----|----------|------|----------------|-----------------|-----------|-----------|-----------|-----------------|-----------------|---------------|
| ANC1500M3-35 | 15 | 60 | 230/3 | 1750 | 57.2 | F | SOW | 6AWG/4C | 1.2 | N/A | N/A | N/A |
| ANC1500M4-35 | 15 | 60 | 460/3 | 1750 | 28.6 | F | SOW | 6AWG/4C | 1.2 | N/A | N/A | N/A |



Dimensions



Performance Curve



P U M P

Honest, Professional, Dependable

1899 Cottage Street, Ashland, Ohio 44805

Telephone: 855 281-6830 • Fax: 877 326-1994 • ashlandpump.com