

SOLIDS HANDLING PUMPS

Model: ANCV2000



Physical Data:

DISCHARGE SIZE	4"
IMPELLER TYPE	9-Vane, vortex - Ductile Iron
CABLE LENGTH	35'

Liquid Handling:

SOLIDS HANDLING	3"
MAXIMUM LIQUID TEMP.	140°F – Intermittent 104°F - Continuous
ACCEPTABLE PH RANGE	6-8

Temperature:

WINDING INSULATION	180°C
INSULATION CLASS	H

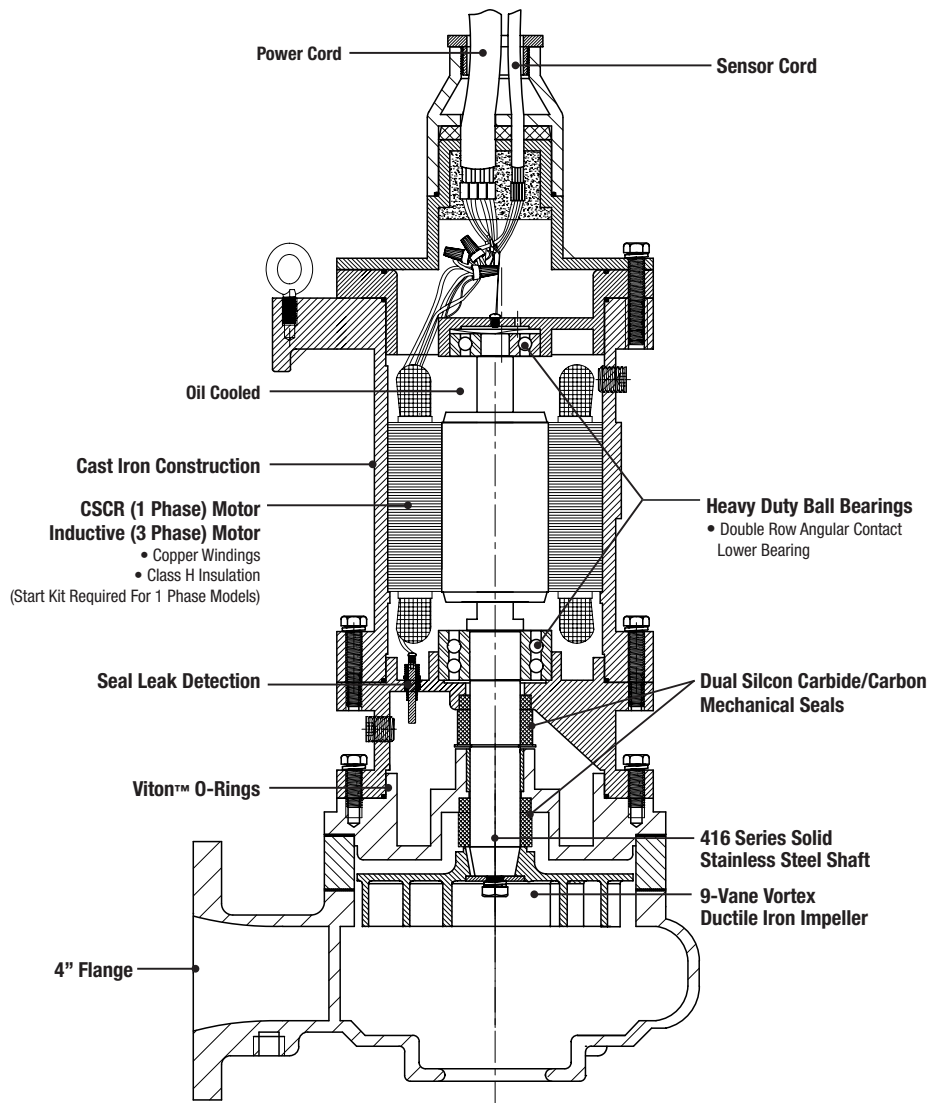
Technical Data:

POWER CORD TYPE	SOW
SENSOR CORD TYPE	18AWG
MOTOR HOUSING	Class 35 Cast Iron
CASING	Class 35 Cast Iron
IMPELLER	Ductile Iron
MOTOR SHAFT	SUS416
HARDWARE	SS
"O" RINGS	Viton™
MECHANICAL SEALS	SiC Dual mechanical
UPPER BEARING	6305
LOWER BEARING	5309 Angular Contact

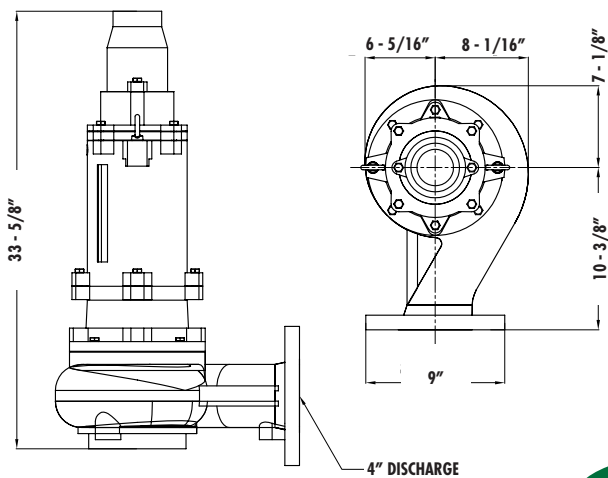
Electrical Data:

R.P.M.	1750
MOTOR TYPE	CSCR (1PH), Induction (3PH)
GEN INSULATION CLASS	H
STATOR WINDING CLASS	H
WINDING INSULATION TEMP	180°C
VOLTAGE TOLERANCE	±10%
HP	20
VOLTAGE	230/460
PHASE	1/3
SERVICE FACTOR	1.42

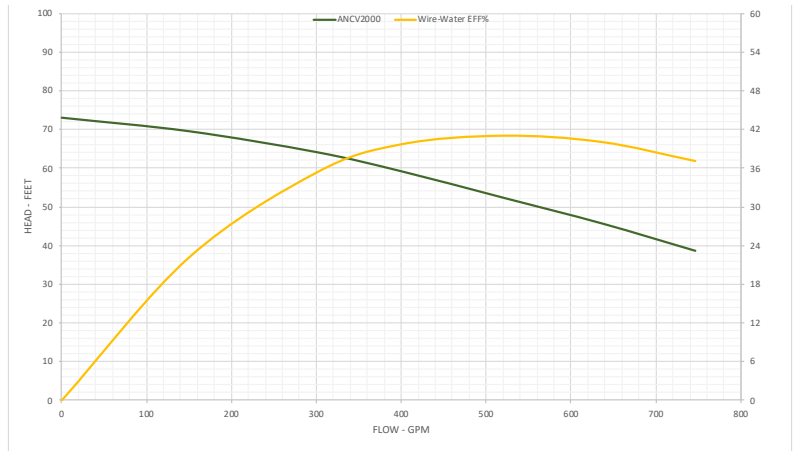
MODEL	HP	HZ	VOLTS/PH	RPM	FULL LOAD AMPS	NEMA START CODE	CORD TYPE	CORD SIZE	CORD O.D.	POTENTIAL RELAY	START CAPACITOR	RUN CAPACITOR
ANCV2000M3-35	20	60	230/3	1750	55.0	G	SOW	4AWG/4C	1.45	N/A	N/A	N/A
ANCV2000M4-35	20	60	460/3	1750	27.5	G	SOW	4AWG/4C	1.45	N/A	N/A	N/A



Dimensions



Performance Curve



P U M P

Honest, Professional, Dependable

1899 Cottage Street, Ashland, Ohio 44805

Telephone: 855 281-6830 • Fax: 877 326-1994 • ashlandpump.com