

SOLIDS HANDLING PUMPS

Model: ANCV300



Physical Data:

DISCHARGE SIZE	4"
IMPELLER TYPE	9-Vane-Vortex - Ductile Iron
CABLE LENGTH	35'

Liquid Handling:

SOLIDS HANDLING	3"
MAXIMUM LIQUID TEMP.	140°F - Intermittent 113°F - Continuous
ACCEPTABLE PH RANGE	6-8

Temperature:

WINDING INSULATION	180°C
INSULATION CLASS	H

Technical Data:

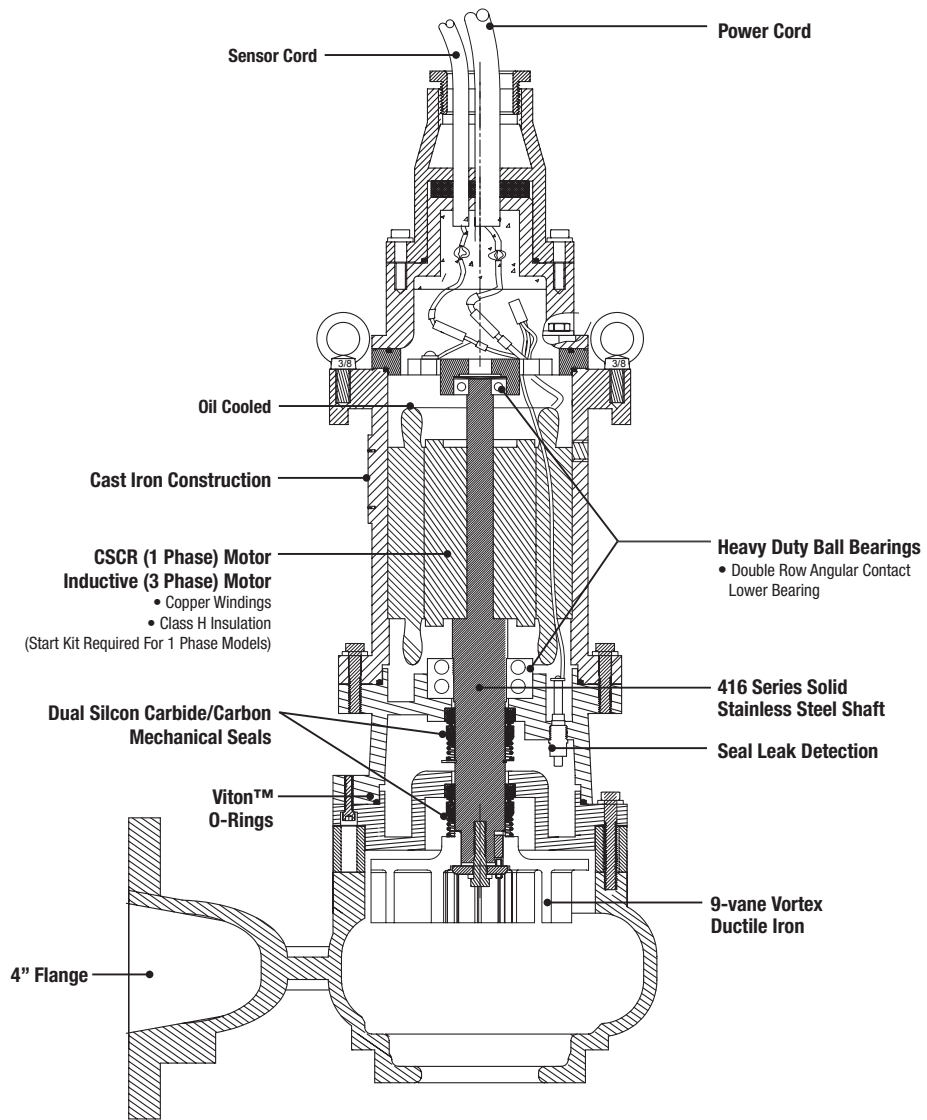
POWER CORD TYPE	SOW
SENSOR CORD TYPE	18AWG
MOTOR HOUSING	Class 35 Cast Iron
CASING	Class 35 Cast Iron
IMPELLER	Ductile Iron
MOTOR SHAFT	416SS
HARDWARE	SS
"O" RINGS	Viton™
MECHANICAL SEALS	SiC Dual mechanical
UPPER BEARING	6203
LOWER BEARING	5208 Angular Contact

Electrical Data:

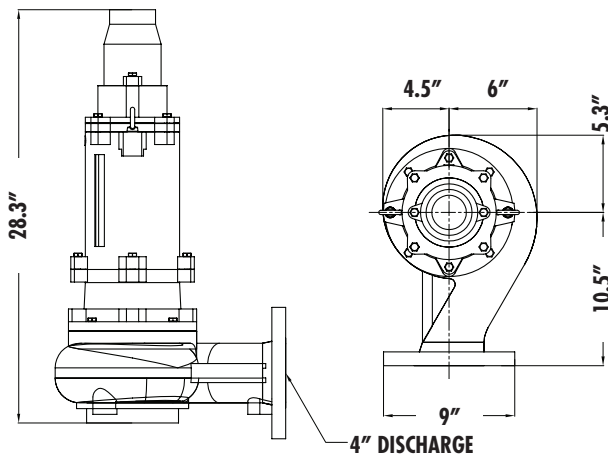
R.P.M.	1750
MOTOR TYPE	CSCR (1PH), Induction (3PH)
GEN INSULATION CLASS	H
STATOR WINDING CLASS	H
WINDING INSULATION TEMP	180°C
VOLTAGE TOLERANCE	±10%
HP	3
VOLTAGE	208/230/460
PHASE	1/3
SERVICE FACTOR	1.42



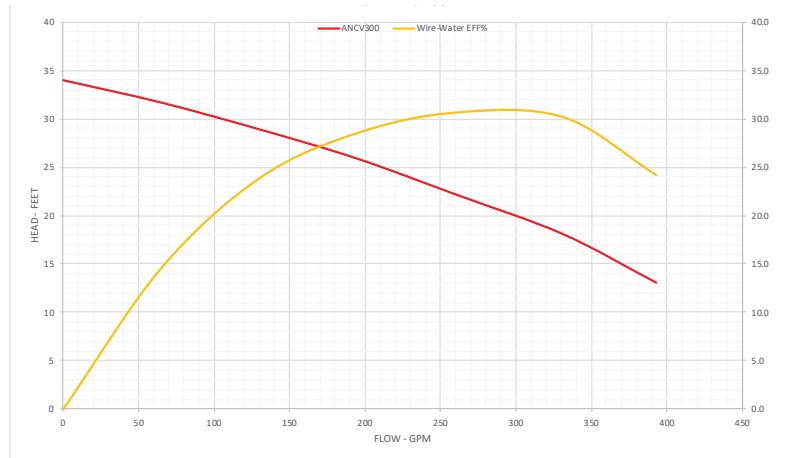
MODEL	HP	HZ	VOLTS/PH	RPM	FULL LOAD AMPS	NEMA START CODE	CORD TYPE	CORD SIZE	CORD O.D.	POTENTIAL RELAY	START CAPACITOR	RUN CAPACITOR
ANCV300M2-35	3	60	230/1	1750	19.3	G	SOW	12AWG/4C	.71	CONT. COIL VOLTAGE: 350V PICK-UP MAX. 200V DROP-OUT MAX. 75V	161-193UF-220 VAC	15uF±5%-370VAC
ANCV300M3-35	3	60	230/3	1750	13.2	K	SOW	14AWG/4C	.62	N/A	N/A	N/A
ANCV300M4-35	3	60	460/3	1750	6.6	K	SOW	14AWG/4C	.62	N/A	N/A	N/A
ANCV300M5-35	3	60	208/1	1750	22.0	G	SOW	12AWG/4C	.71	CONT. COIL VOLTAGE: 350V PICK-UP MAX. 200V DROP-OUT MAX. 75V	161-193UF-220 VAC	15uF±5%-370VAC
ANCV300M6-35	3	60	208/3	1750	14	K	SOW	14AWG/4C	.62	N/A	N/A	N/A



Dimensions



Performance Curve



P U M P

Honest, Professional, Dependable

1899 Cottage Street, Ashland, Ohio 44805

Telephone: 855 281-6830 • Fax: 877 326-1994 • ashlandpump.com