



OPERATION, PERFORMANCE,
SPECIFICATIONS and PARTS MANUAL

EP50,75,100,150 1/2, 3/4, 1, 1-1/2 HP Effluent Pumps

- Thank you for purchasing this pump. Take the time to read the instructions carefully before using this product. We strongly recommend that you keep this instruction manual in a safe place for future reference.
- Please refer to our website and the Products Center for additional installation and operation instructions and replacement parts information.



LIMITED WARRANTY

This pump is warranted to be free from defects in material and workmanship and to perform within applicable specifications for a period of three years from date of installation or 42 months from date of manufacture, whichever ever comes first. Obligation under this warranty is limited to repairing or replacing any part thereof, which shall within one year be returned to us with transportation charges prepaid, and proved to be defective.

The above limited warranty takes the place of all other warranties, express or implied and correction of such defects by replacement or repair shall constitute a fulfillment of all obligations under the terms of the warranty, which specifically EXCLUDES any incidental damages caused by or associated with this product or its use. The warranty does not cover any unit which has been damaged either in transit or by misuse, accident or negligence. No warranty or representative not contained herein shall be binding.

MARKS AND MEANING:

⚠ DANGER "Danger" indicates an imminent hazardous situation which, if not avoided, WILL result in death or serious injury.

⚠ WARNING "Warning" indicates an imminent hazardous situation which, if not avoided, MAY result in death or serious injury.

⚠ CAUTION "Caution" indicates a potentially hazardous situation which, if not avoided, MAY result in minor or moderate injury.

PERFORMANCE

Model	HP	GPM at Total Feet of Head									Max. Head (ft)
		0'	10'	20'	30'	40'	50'	60'	70'	80'	
EP50	1/2	-	-	92	72	50	2	-	-	-	50
EP75	3/4	-	-	-	96	77	50	-	-	-	60
EP100	1	-	-	-	118	100	80	55	23	-	78
EP150	1-1/2	-	-	-	-	127	110	91	70	40	90



Effluent Pump

Model: EP50, EP75, EP100, EP150

General Safety Information

Before installation, read the following instructions carefully. Failure to follow instruction and safety information could cause serious bodily injury, death and/or property damage. Each Ashland Pump is individually factory tested to ensure proper performance. Closely following these instructions will eliminate potential operating problems assuring years of trouble-free service.

Most accidents can be avoided by using common sense.

IMPORTANT - Ashland Pump is not responsible for losses, injury or death resulting from failure to observe these safety precautions, misuse, abuse or misapplication of pumps or equipment.

⚠ DANGER All returned products must be cleaned, sanitized, or decontaminated prior to shipment, to insure employees will not be exposed to health hazards in handling said materials. All applicable laws and regulations shall apply.



⚠ WARNING Bronze/brass fitted pumps may contain lead levels higher than considered safe for potable water systems. Government agencies have determined that leaded copper alloys should not be used in potable water applications.

⚠ WARNING Installation, wiring, and junction connections must be in accordance with the National Electric Code and all applicable state and local codes. Requirements may vary depending on usage and location.

⚠ WARNING Installation and servicing is to be conducted by qualified personnel only.

⚠ DANGER Rotating machinery, amputation or severe lacerations can result. Keep clear of suction and discharge openings. DO NOT insert fingers into pump with power connected.



⚠ WARNING Always wear eye protection when working on pumps. Do not wear loose clothing that may become entangled in moving parts.

⚠ DANGER Pumps build up heat and pressure during operation. Allow time for pumps to cool before handling or servicing.

⚠ DANGER Hazardous Voltage can shock, burn or cause death. This pump is not intended for use in swimming pools or water installations where human contact with pumped fluid is possible.



⚠ DANGER Risk of electrical shock. To reduce risk of electrical shock, always disconnect pump from source before handling. Lock out power & tag.



⚠ WARNING Do Not use these pumps in water over 145°F. Do not exceed manufactures recommended maximum performance, as this could cause the motor to overheat.

⚠ CAUTION Make sure lifting handles are securely fastened each time before lifting.

⚠ DANGER Do not lift, carry or hang pump by the electrical cables. Damage to the electrical cables can cause shock, burns or death. Never handle connected power cords with wet hands. Use appropriate lifting device.



⚠ WARNING Effluent pumps often handle materials which could cause illness or disease. Wear adequate protective clothing when working on a used pump or piping. Never enter a basin after it has been used.

⚠ DANGER Failure to permanently ground the pump, motor and controls before connecting to power can cause shock, burns or death.



⚠ DANGER These pumps are NOT to be installed in locations classified as hazardous in accordance with the National Electric Code, ANSI/NFPA 70.



⚠ WARNING Do not introduce into any sewer, either directly, or through a kitchen waste disposal unit or toilet: Seafood Shells, Aquarium Gravel, Cat Litter, Plastic Objects, Sanitary Napkins or Tampons, Diapers, Rags, Disposable Wipes or Cloth, Medications, Flammable Material, Oil or Grease, Strong Chemicals, Gasoline.

- Operation against a closed discharge valve will cause premature bearing and seal failure on any pump.
- Any wiring of pumps should be performed by a qualified electrician.
- Cable should be protected at all times to avoid punctures, cuts, bruises, and abrasions-inspect frequently.
- Never handle connected power cords with wet hands.
- Never let cords or plugs lie in water outside the sump pit.
- These pumps are offered in a three phase and single phase wiring configuration. Voltages will vary according to the application and can be seen in the tables in this manual.

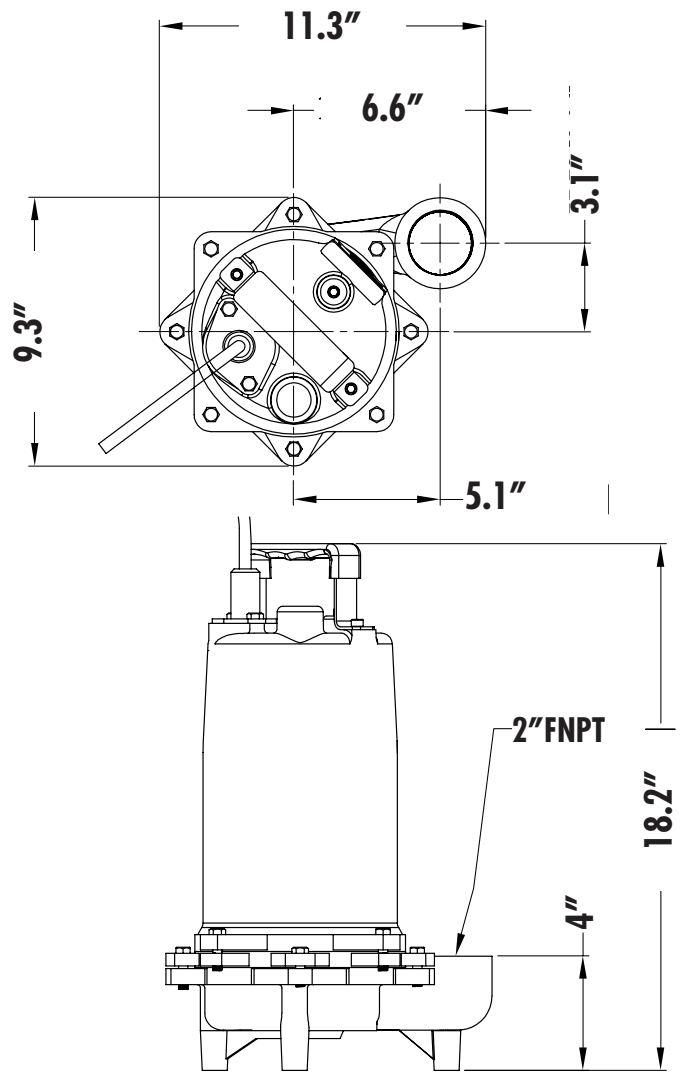


Effluent Pump Model: EP50, EP75, EP100, EP150 Specifications

IMPORTANT Prior to installation, record Model Number, MFG Date, Amps, Voltage, Phase and HP, from pump nameplate for future reference. Also record the voltage and current readings at startup:	1 Phase Models		Model Number: _____
	Amps: _____	Volts: _____	MFG Date: _____
			HP: _____
			SN: _____

SPECIFICATIONS

Description:	To reduce domestic, commercial and light industrial sewage
Physical Data:	
DISCHARGE SIZE	2" NPT
IMPELLER TYPE	2-Vane Closed, Cast Iron
CABLE LENGTH	20'
Liquid Handling:	
SOLIDS SIZE	3/4"
MAXIMUM LIQUID TEMP.	104°F - Intermittent,
ACCEPTABLE PH RANGE	6-8
Temperature:	
MAXIMUM STATOR	120°C
Technical Data:	
MOTOR HOUSING	Cast Iron
VOLUTE	Cast Iron
IMPELLER	Cast Iron
MOTOR SHAFT	SS416
HARDWARE	SST
"O" RINGS	NBR
SEALS	Single Mechanical Carbon Ceramic
UPPER BEARING	6203
LOWER BEARING	6203

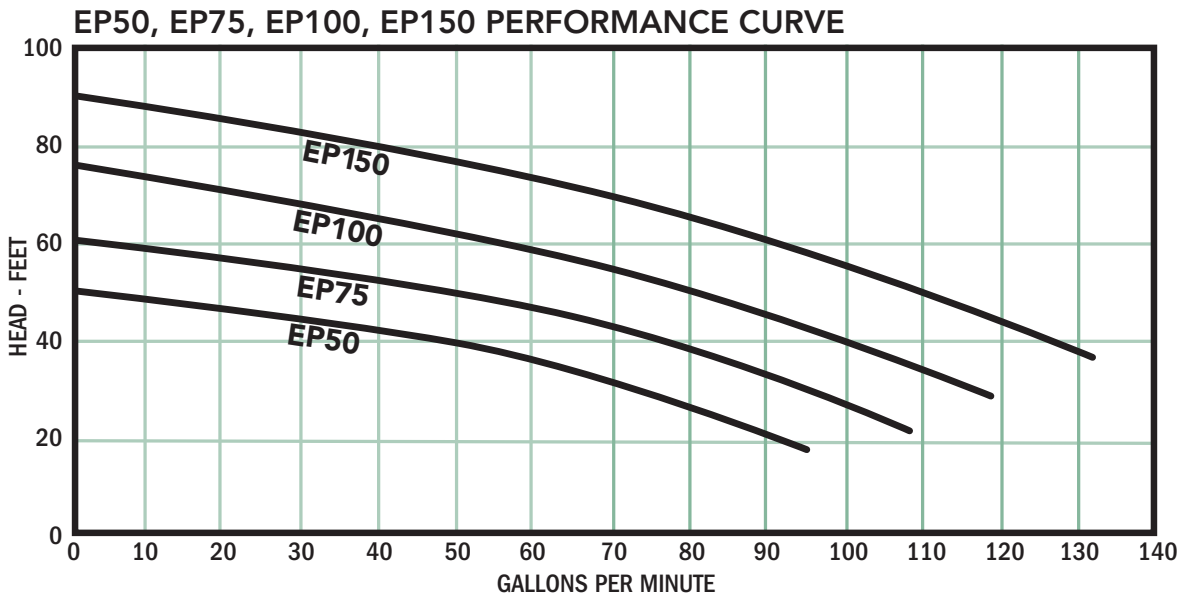




Effluent Pump Model: EP50, EP75, EP100, EP150 Specifications and Performance

SPECIFICATIONS

MODEL	HP	HZ	VOLTS/PH	RPM	FULL LOAD AMPS	NEMA START CODE	CORD TYPE	CORD SIZE	CORD O.D.	BREAKER SIZE	RUN CAPACITOR
EP50M1-20	1/2	60	115/1	3450	12.0	J	SOW	16AWG/3C	0.385-0.430	15A	370V 35MFD±5%
EP50W1-20	1/2	60	115/1	3450	12.0	J	SOW	16AWG/3C	0.385-0.430	15A	370V 35MFD±5%
EP50M2-20	1/2	60	230/1	3450	6.0	J	SOW	16AWG/3C	0.385-0.430	10A	370V 35MFD±5%
EP50M3-20	1/2	60	230/3	3450	3.2	J	SOW	16AWG/4C	0.410-0.460	5A	N/A
EP50M4-20	1/2	60	460/3	3450	1.6	J	SOW	16AWG/4C	0.410-0.460	3A	N/A
EP50M5-20	1/2	60	208/1	3450	6.5	J	SOW	16AWG/3C	0.385-0.430	10A	450V 35MFD±5%
EP50M6-20	1/2	60	208/3	3450	3.5	J	SOW	16AWG/4C	0.410-0.460	5A	N/A
EP50M9-20	1/2	60	575/3	3450	1.2	J	SOW	16AWG/4C	0.410-0.460	3A	N/A
EP75M1-20	3/4	60	115/1	3450	13.0	H	SOW	16AWG/3C	0.385-0.430	15A	450V 35MFD±5%
EP75M2-20	3/4	60	230/1	3450	6.5	H	SOW	16AWG/3C	0.385-0.430	10A	450V 35MFD±5%
EP75M3-20	3/4	60	230/3	3450	4.7	H	SOW	16AWG/4C	0.410-0.460	5A	N/A
EP75M4-20	3/4	60	460/3	3450	2.3	H	SOW	16AWG/4C	0.410-0.460	3A	N/A
EP75M5-20	3/4	60	208/1	3450	8.2	H	SOW	16AWG/3C	0.385-0.430	10A	450V 35MFD±5%
EP75M6-20	3/4	60	208/3	3450	5.0	H	SOW	16AWG/4C	0.410-0.460	5A	N/A
EP75M9-20	3/4	60	575/3	3450	1.8	H	SOW	16AWG/4C	0.410-0.460	3A	N/A
EP100M2-20	1	60	230/1	3450	11.8	H	SOW	16AWG/3C	0.385-0.430	15A	450V 35MFD±5%
EP100M3-20	1	60	230/3	3450	6.0	H	SOW	16AWG/4C	0.410-0.460	10A	N/A
EP100M4-20	1	60	460/3	3450	3.0	H	SOW	16AWG/4C	0.410-0.460	5A	N/A
EP100M5-20	1	60	208/1	3450	12.0	H	SOW	16AWG/3C	0.385-0.430	15A	450V 35MFD±5%
EP100M6-20	1	60	208/3	3450	6.2	H	SOW	16AWG/4C	0.410-0.460	10A	N/A
EP100M9-20	1	60	575/3	3450	2.2	H	SOW	16AWG/4C	0.410-0.460	3A	N/A
EP150M2-20	1-1/2	60	230/1	3450	15.0	G	SOW	14AWG/3C	0.520-0.575	20A	450V 35MFD±5%
EP150M3-20	1-1/2	60	230/3	3450	7.4	G	SOW	16AWG/4C	0.410-0.460	10A	N/A
EP150M4-20	1-1/2	60	460/3	3450	3.7	G	SOW	16AWG/4C	0.410-0.460	5A	N/A
EP150M5-20	1-1/2	60	208/1	3450	15.2	G	SOW	14AWG/3C	0.520-0.575	20A	450V 35MFD±5%
EP150M6-20	1-1/2	60	208/3	3450	7.8	G	SOW	16AWG/4C	0.410-0.460	10A	N/A
EP150M9-20	1-1/2	60	575/3	3450	2.7	G	SOW	16AWG/4C	0.410-0.460	5A	N/A



EP50 PERFORMANCE CHART

Total Lift(feet)	0	10	20	30	40	50	50
GPM	-	-	92	72	50	2	0

EP75 PERFORMANCE CHART

Total Lift(feet)	0	10	20	30	40	50	60
GPM	-	-	-	96	77	50	0

EP100 PERFORMANCE CHART

Total Lift(feet)	0	30	40	50	60	70	78
GPM	-	118	100	80	55	23	0

EP150 PERFORMANCE CHART

Total Lift(feet)	0	40	50	60	70	80	90
GPM	-	127	110	91	70	40	0



Effluent Pump Model: EP50, EP75, EP100, EP150 Receiving and Installation

Receiving Inspection

Upon receiving the pump, it should be inspected for damage or shortages. If damage has occurred, file a claim immediately with the company that delivered the pump. If the manual is removed from the packaging, do not lose or misplace.

Storage

Any product that is stored for a period longer than six (6) months from the date of purchase should be bench tested prior to installation. A bench test consists of, checking the impeller to assure it is free turning and a run test to assure the motor (and switch if provided) operate properly. Do not pump out of liquid.

WARNING IMPORTANT! A clearance under the pump for entrance of sewage solids must be a minimum of 2 inches to a maximum of 3.5 inches.

Submergence

The pump should always be operated in the submerged condition. The minimum sump liquid level should never be less than above the pump's motor (see fig. 1), unless very briefly.

Installation

The sump or basin shall be sealed and vented in accordance with local plumbing codes. This pump is designed to pump domestic wastewater, nonexplosive and non-corrosive liquids and shall NOT be installed in locations classified as hazardous in accordance with the National Electrical Code (NEC) ANSI/ NFPA 70 or Canadian Electric Code (CEC). The pump should never be installed in a trench, ditch, or hole with a dirt bottom.

The legs will sink into the dirt and the suction will become plugged.

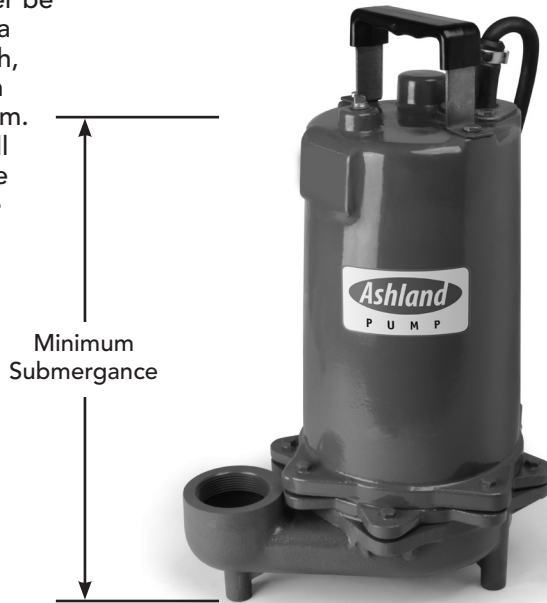


FIGURE 1

Discharge Piping

Install discharge piping or hose assembly to the pump. Discharge piping should be as short as possible and sized no smaller than the pump discharge. Do not reduce the discharge pipe size below that which is provided on the pump. Both a check valve and a shut-off valve are recommended for each pump. The check valve is used to prevent backflow into the sump. The shut-off valve is used to manually stop system flow during pump servicing. Be sure the discharge pipe has a 1/8" diameter hole approx. 5" from end nearest volute and oriented towards the pump body.

Control Panel

Single phase series effluent pumps DO NOT require a control panel, but do require a level control with a piggy back plug, see "Piggy-back Plug, figure 2" below.

Motor: Each motor is provided with heat sensor thermostats attached directly to the motor windings. The thermostats open if the motor windings see excessive heat and, in turn, open the motor contactor in the control panel when used, breaking the power to the pump. When the motor is stopped due to an overheated condition, it will not start until the motor has cooled.

Pre-operation

CHECK VOLTAGE AND PHASE

Before operating pump, check to make sure that voltage and phase information stamped on the pump's identification plate matches the available power.

CHECK PUMP ROTATION

Before putting pump into service for the first time, the motor rotation must be checked. Improper motor rotation can result in poor pump performance and can damage the motor and/or pump.

IDENTIFICATION PLATE

Note the numbers on the pumps identification plate and record in this manual for future reference.

Electrical Connections



Turn circuit breaker off before plugging or unplugging the switch and/or pump.

Always rely upon a Certified Electrician for installation.

Piggy-Back Plug Plug the level control plug into a 115V receptacle, then plug the pump into the piggy-back plug (See Figure 2). It is recommended that this circuit have a 15 AMP breaker. One cycle of operation should be observed, so that any potential problems can be corrected.

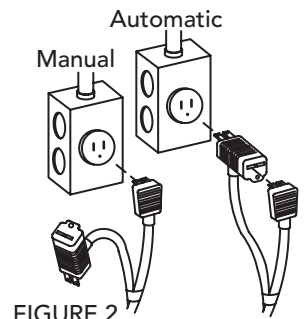


FIGURE 2



Effluent Pump

Model: EP50, EP75, EP100, EP150

Receiving and Installation

It is recommended that the level control float should be set to insure that the liquid in the sump never drops below the top of the motor housing. The level control should have adequate clearance so it cannot hang up in it's swing and that the pump is completely submerged when the level control is in the "Off " mode. Minimum tether length is 3.50".

By adjusting the cord tether the control level can be changed. **DO NOT USE THE POWER CABLE TO LIFT PUMP.**

Pump-Down Test - Be sure pump has been plugged in, lowered into the basin or sump, check the system by filling with liquid and allowing the pump to operate through its pumping cycle. The time needed to empty the system, or pump-down time along with the volume of water, should be recorded.

Thermal Protection

The normally closed (N/C) over temperature sensor is embedded in the motor windings and will detect excessive heat in the event an overload condition occurs. The thermal sensor will trip when the windings become too hot and will automatically reset when the pump motor cools to a safe temperature.

In the event of an over temperature, the source of this condition should be determined and repaired immediately. Thermal protection shall not be used as a motor overload device.

Maintenance

Minimal maintenance is required. Perform the following checks when pump is removed from operation or when pump performance deteriorates:

- a). Inspect motor chambers for oil level and contamination.
- b). Inspect impeller and body for excessive build-up or clogging.
- c). Inspect motor and bearings.
- d). Inspect seal for wear or leakage.

Servicing

Cooling Oil - Anytime the pump is removed from operation, the cooling oil in the motor housing should be checked visually for oil level and contamination. To check oil, set unit upright. Remove pipe plug from housing. With a flashlight, visually inspect the oil in the housing to make sure it is clean and clear, light amber in color and free from suspended particles. Milky white oil indicates the presence of water. Oil level should be just above the motor when pump is in vertical position.

Oil Testing

- Drain oil into a clean, dry container by placing pump on it's side. Remove pipe plug, from housing.
- Check oil for contamination using an oil tester with a range to 30 Kilovolts breakdown.
- If oil is found to be clean and uncontaminated (measuring above 15 KV. breakdown), refill the housing.

- If oil is found to be dirty or contaminated (or measures below 15 KV. breakdown), the pump must be carefully inspected for leaks at the shaft seal, cable assembly, o- ring and pipe plug, before refilling with oil. To locate the leak, perform the following pressure tests.

After leak is repaired, dispose of old oil properly, and refill with new oil.



Pressure builds up extremely fast, increase pressure by "TAPPING" air nozzle. Too much pressure will damage seal.
DO NOT exceed 10 P.S.I.

Motor Housing Pressure Test:

If oil has been drained, fill to normal level before performing pressure test. Remove pipe plug from motor housing.

Apply pipe sealant to pressure gauge assembly and tighten into hole. Pressurize motor housing to 10 P.S.I. Use soap solution around the sealed areas above the oil level and inspect joints for "air bubbles". For sealed areas below oil level, leaks will seep oil. If, after five minutes, the pressure is still holding constant, and no "bubbles" / oil seepage is observed, slowly bleed the pressure and remove the gauge assembly. Replace oil. Leak must be located and repaired if pressure does not hold.

Oil Replacement Motor Housing

Remove pipe plug from motor housing.

Drain all oil (if not already done so) from motor housing and dispose of properly per Local Code. Set pump upright and refill with new cooling oil, see "Cooling Oil" chart. Fill to just above motor (2.1L) as an air space must remain in the top of the motor housing to compensate for oil expansion. Apply pipe thread compound to threads of pipe plug then assemble to motor housing. Check that o-ring is in place and does not need to be replaced. Reassemble cord cap to motor housing.



DO NOT overfill oil. Overfilling of housing with oil can create excessive and dangerous hydraulic pressure which can destroy the pump and create a hazard. Overfilling oil voids warranty.

Cooling Oil Recommended Supplier/Grade

Cooling Oil Recommended Supplier/Grade	
BP	Enerpar SE100
Conoco	Pale Paraffin 22
Mobile	D.T.E. Oil Light
Shell Canada	Transformer-10
Texaco	Diala-Oil-AX



WARNING Before any service work is done, disconnect and lock out electrical power to pump.



Effluent Pump Model: EP50, EP75, EP100, EP150 Installation and Service

Volute - Remove socket head cap screws from volute.

Impeller - Remove impeller by turning counter-clockwise careful application of heat may be necessary. Do Not store pump without impeller in place.

Seal- Handle seal parts with care. Remove rotating member from shaft. Remove pressed-in spring component from seal plate. Examine all seal parts. Inspect contact faces for signs of uneven wear tracks on stationary face, chips and scratches on either seal face. DO NOT interchange seal components, replace the entire shaft seal if necessary.

Seal Plate - Remove cap screws from seal plate. Remove seal plate and o-ring.

Bearings - Using a bearing puller or arbor press remove bearing from shaft. Remove upper motor bearing from shaft with a bearing puller.



IMPORTANT! - All parts must be clean before reassembly. Handle seal parts with extreme care. DO NOT damage lapped surfaces.

REASSEMBLY

Bearing - Be careful not to damage the rotor shaft when replacing bearing. Using an arbor press, hold the rotor and press the upper bearing on the rotor shaft, applying force to the inner race of the bearing only. In the same manner replace lower bearing (49) onto rotor shaft.

Seal Plate - Lubricate and set o-ring in bottom of seal plate. Place seal plate over shaft, being sure o-ring is not twisted and in the groove. Place four capscrews through holes in motor housing and into seal plate and torque to 6.5 ft/lbs.

Outer Seal - Clean and oil stationary seal cavity in seal plate. Slide seal guide tool over motor shaft. Lightly oil (**Do not use grease**) outer surface of seal's stationary member.

Press stationary firmly into seal plate using a seal pusher tool. Be sure the stationary member is in straight. Nothing but the seal tool is to come in contact with seal face.



IMPORTANT ! Do not hammer on the seal pusher. It will damage the seal face.

With lapped surface of rotating member facing inward toward stationary, slide rotating member and onto shaft, until lapped faces of stationary and rotating seal are together.

Impeller - Place impeller on motor shaft by turning clockwise. Blue thread locking compound is recommended.

Volute - Place volute on seal plate. Place socket head cap screws through volute and into seal plate Then torque evenly to 11 ft/lbs.



Effluent Pump Model: EP50, EP75, EP100, EP150 Installation and Service

Installing Pump in BASIN

Install pump in properly vented basin according to local codes and regulations. PVC pipe along with plastic check valve and shut-off valve are recommended. Drill a 1/8" hole in the discharge pipe below the check valve. Install check valve 12" above pump discharge. See Figure 3

Starting Pump After Installing in Sump

Before lowering pump into basin, connect power lines and start motor. Impeller should turn counterclockwise when looking at impeller.

Service and Repair

Important: Pump should be thoroughly cleaned of trash and deposits before starting disassembly operations (pages 6-8).

⚠ WARNING

Disconnect all power and control wires to motor at control panel before starting disassembly operation. Never rely on opening circuit breaker only.

⚠ CAUTION

Operating pump builds up heat and pressure; allow time for pump to cool to room temperature

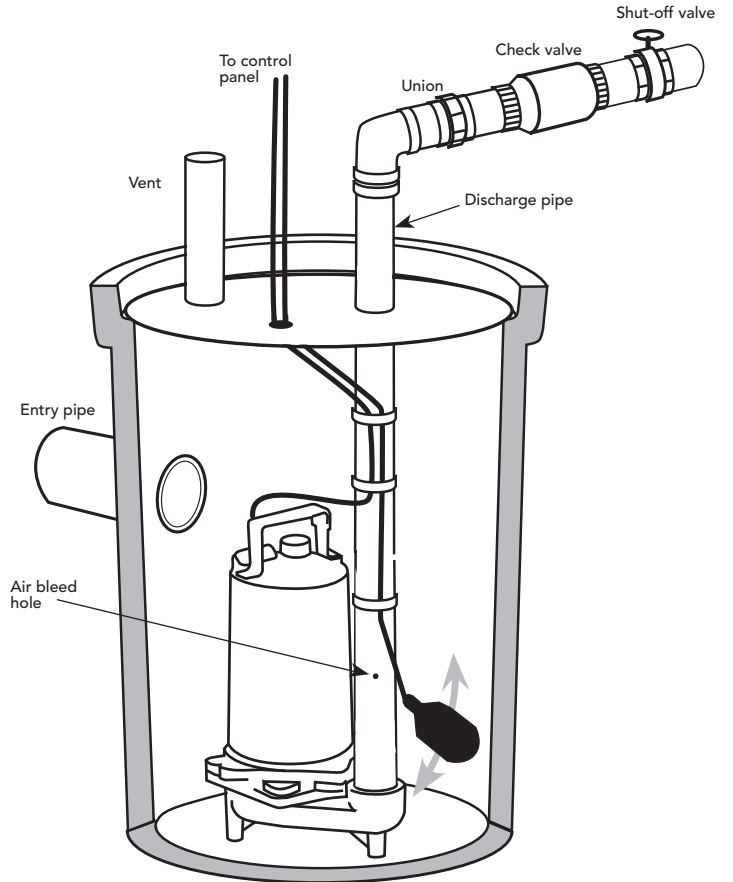


FIGURE 3



Effluent Pump

Model: EP50, EP75, EP100, EP150

Trouble Shooting

PROBLEMS	POSSIBLE CAUSES/SOLUTIONS
PUMP DOES NOT RUN AND MAKES HUMMING SOUND	<ul style="list-style-type: none"> • Line circuit breaker is off, or fuse is blown or loose • Water level in sump has not reached turn-on level as indicated in installation drawing. • Pump cord is not making contact in receptacle. • Float is stuck. It should operate freely in basin. • If all of the above are OK, then the motor could be malfunctioning.
PUMP RUNS BUT DOES NOT DELIVER WATER	<ul style="list-style-type: none"> • Check if valve is installed backwards. Arrow on valve should point direction of flow • Discharge shut-off valve (if used) may be closed. • Impeller or volute openings are fully or partially clogged. Remove pump and clean. • Pump is air-locked. Start and stop several times by plugging and unplugging cord. Check for clogged vent hole in pump case. • Inlet holes in pump base are clogged. Remove pump and clean the openings. • Vertical pumping distance is too high. Reduce distance or change the discharge fittings of the pump.
PUMP RUNS AND PUMPS OUT SUMP, BUT DOES NOT STOP	<ul style="list-style-type: none"> • Float is stuck in up position. Be sure float operates freely in basin. • Defective float switch. Replace float switch.
PUMP RUNS BUT ONLY DELIVERS A SMALL AMOUNT OF WATER	<ul style="list-style-type: none"> • Pump is air-locked. Start and stop several times by plugging in and unplugging cord. Check for clogged vent hole in pump case. • Vertical pumping distance is too high. Reduce distance or change the discharge fitting of the pump. Inlet holes in pump base are clogged. Remove pump and clean the strainer and openings. • Impeller or volute openings are fully or partially clogged. Remove pump and clean. • Pump impeller is partially clogged with tar or paint, causing motor to run slow and overload. Remove pump and clean.
FUSE BLOWS OR CIRCUIT BREAKER TRIPS WHEN PUMP STARTS	<ul style="list-style-type: none"> • Pump impeller is partially clogged causing motor to run slow and overload. Remove pump and clean. • Motor stator may be defective. • Fuse size or circuit breaker may be too small. (must be 15 amps). • Impeller or volute opening are fully or partially clogged. Remove pump and clean .
MOTOR RUNS FOR A SHORT TIME, THEN STOPS	<ul style="list-style-type: none"> • Inlet holes in pump base are clogged. Remove pump and clean the openings. • Pump impeller is partially clogged causing motor to run slow and overload. Remove pump and clean. • Motor stator may be defective. • Impeller or volute openings are fully or partially clogged. Remove pump and clean. Also clean the strainer if one is installed.

ELECTRICAL PRECAUTIONS

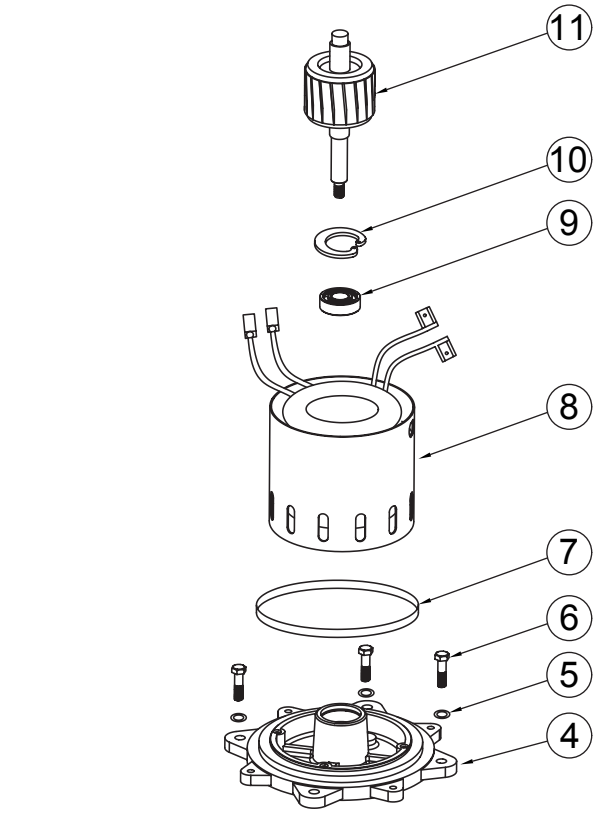
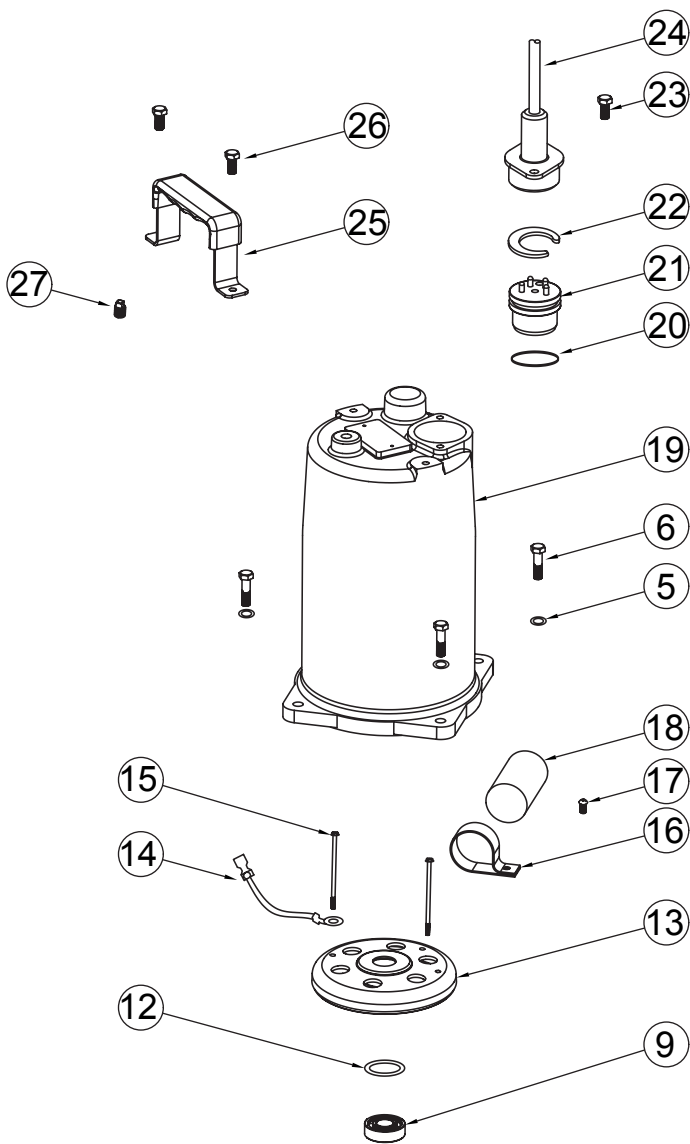


WARNING Before servicing a pump, always shut off the main power breaker and then unplug the pump. Make sure you are not standing in water and are wearing insulated protective sole shoes, under flooded conditions. Contact your local electric company or a qualified licensed electrician for disconnecting electrical service prior to pump removal

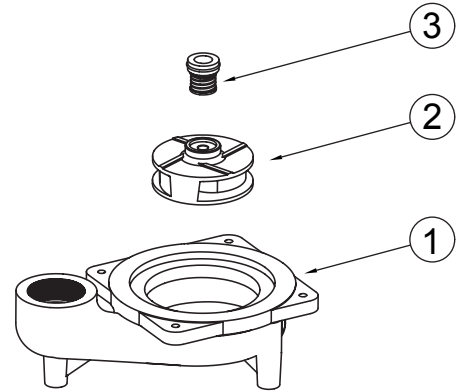


Effluent Pump Model: EP50, EP75, EP100, EP150 Parts

MOTOR PARTS GROUP



WET-END PARTS GROUP





Effluent Pump Model: EP50 and EP75 Parts

NO.	DESCRIPTION	PART NO. For Pump Models												QTY
		EP50M1-20	EP50M2-20	EP50M3-20	EP50M4-20	EP50M5-20	EP50M6-20	EP75M1-20	EP75M2-20	EP75M3-20	EP75M4-20	EP75M5-20	EP75M6-20	
		115V/1PH	230V/1PH	230V/3PH	460V/3PH	208V/1PH	208V/3PH	115V/1PH	230V/1PH	230V/3PH	460V/3PH	208V/1PH	208V/3PH	
WET-END PARTS GROUP		091EP5002A	091EP5002A	091EP5002A	091EP5002	091EP5002A	091EP5002A	091EP7502A	091EP7502A	091EP7502A	091EP7502A	091EP7502A	091EP7502A	
1	VOLUTE	091EP5001	091EP5001	091EP5001	091EP5001	091EP5001	091EP5001	091EP5001	091EP5001	091EP5001	091EP5001	091EP5001	091EP5001	1
2	IMPELLER	091EP5002	091EP5002	091EP5002	091EP5002	091EP5002	091EP5002	091EP7502	091EP7502	091EP7502	091EP7502	091EP7502	091EP7502	1
3	SHAFT-SEAL	091EP5003	091EP5003	091EP5003	091EP5003	091EP5003	091EP5003	091EP5003	091EP5003	091EP5003	091EP5003	091EP5003	091EP5003	1
MOTOR PARTS GROUP		091EP5008A	091EP5009A	091EP5039A	091EP5049A	091EP5009A	091EP5039A	091SWH519A	091EP7509A	091SWH539A	091SWH549A	091EP7509A	091SWH539A	
4	SEAL PLATE	091EP5004	091EP5004	091EP5004	091EP5004	091EP5004	091EP5004	091EP5004	091EP5004	091EP5004	091EP5004	091EP5004	091EP5004	1
5	WASHER	091EP5005	091EP5005	091EP5005	091EP5005	091EP5005	091EP5005	091EP5005	091EP5005	091EP5005	091EP5005	091EP5005	091EP5005	8
6	SCREW	091EP5006	091EP5006	091EP5006	091EP5006	091EP5006	091EP5006	091EP5006	091EP5006	091EP5006	091EP5006	091EP5006	091EP5006	8
7	O-RING	091EP5007	091EP5007	091EP5007	091EP5007	091EP5007	091EP5007	091EP5007	091EP5007	091EP5007	091EP5007	091EP5007	091EP5007	1
8	STATOR ASSY	091EP5008	091EP5009	091EP5039	091EP5049	091EP5009	091EP5039	091SWH519	091EP7509	091SWH539	091SWH549	091EP7509	091SWH539	1
9	BEARING	091EP5010	091EP5010	091EP5010	091EP5010	091EP5010	091EP5010	091EP5010	091EP5010	091EP5010	091EP5010	091EP5010	091EP5010	2
10	C-RING	091EP5011	091EP5011	091EP5011	091EP5011	091EP5011	091EP5011	091EP5011	091EP5011	091EP5011	091EP5011	091EP5011	091EP5011	1
11	ROTOR ASSY	091EP5012	091EP5012	091EP5012	091EP5012	091EP5012	091EP5012	091EP7512	091EP7512	091EP7512	091EP7512	091EP7512	091EP7512	1
12	SPRING WASHER	091EP5013	091EP5013	091EP5013	091EP5013	091EP5013	091EP5013	091EP5013	091EP5013	091EP5013	091EP5013	091EP5013	091EP5013	1
13	TOP COVER	091EP5014	091EP5014	091EP5014	091EP5014	091EP5014	091EP5014	091EP5014	091EP5014	091EP5014	091EP5014	091EP5014	091EP5014	1
14	GROUND LINE	091EP5015	091EP5015	091EP5315	091EP5315	091EP5015	091EP5315	091EP5015	091EP5015	091EP5315	091EP5315	091EP5015	091EP5315	1
15	SCREW	091EP5016	091EP5016	091EP5016	091EP5016	091EP5016	091EP5016	091EP5016	091EP5016	091EP5016	091EP5016	091EP5016	091EP5016	4
16	CLAMP	091EP5017	091EP5017	NONE	NONE	091EP5017	NONE	091EP5017	091EP5017	NONE	NONE	091EP5017	NONE	1
17	SCREW	091EP5018	091EP5018	NONE	NONE	091EP5018	NONE	091EP5018	091EP5018	NONE	NONE	091EP5018	NONE	1
18	CAPACITOR	091EP5019	091EP5019	NONE	NONE	091EP5019	NONE	091EP5019	091EP5019	NONE	NONE	091EP5019	NONE	1
19	HOUSING	091EP5020	091EP5020	091EP5020	091EP5020	091EP5020	091EP5020	091EP5020	091EP5020	091EP5020	091EP5020	091EP5020	091EP5020	1
20	O-RING	091EP5021	091EP5021	091EP5021	091EP5021	091EP5021	091EP5021	091EP5021	091EP5021	091EP5021	091EP5021	091EP5021	091EP5021	1
21	ADAPTER	091EP5022	091EP5022	091EP5322	091EP5322	091EP5022	091EP5322	091EP5022	091EP5022	091EP5322	091EP5322	091EP5022	091EP5322	1
22	RETAINER RING	091EP5023	091EP5023	091EP5023	091EP5023	091EP5023	091EP5023	091EP5023	091EP5023	091EP5023	091EP5023	091EP5023	091EP5023	1
23	SCREW	091EP5024	091EP5024	091EP5024	091EP5024	091EP5024	091EP5024	091EP5024	091EP5024	091EP5024	091EP5024	091EP5024	091EP5024	2
24	POWER CORD	091EP5025	091EP5026	091EP5326	091EP5326	091EP5026	091EP5326	091EP5025	091EP5026	091EP5326	091EP5326	091EP5026	091EP5326	1
25	HANDLE	091EP5027	091EP5027	091EP5027	091EP5027	091EP5027	091EP5027	091EP5027	091EP5027	091EP5027	091EP5027	091EP5027	091EP5027	1
26	SCREW	091EP5028	091EP5028	091EP5028	091EP5028	091EP5028	091EP5028	091EP5028	091EP5028	091EP5028	091EP5028	091EP5028	091EP5028	2
27	NUT	091EP5029	091EP5029	091EP5029	091EP5029	091EP5029	091EP5029	091EP5029	091EP5029	091EP5029	091EP5029	091EP5029	091EP5029	1



Effluent Pump Model: EP100 and EP150 Parts

NO.	DESCRIPTION	PART NO. For Pump Models										QTY
		EP100M2-20	EP100M3-20	EP100M4-20	EP100M5-20	EP100M6-20	EP150M2-20	EP150M3-20	EP150M4-20	EP150M5-20	EP150M6-20	
		230V/1PH	230V/3PH	460V/3PH	208V/1PH	208V/3PH	230V/1PH	230V/3PH	460V/3PH	208V/1PH	208V/3PH	
WET-END PARTS GROUP		091EP1002A	091EP1002A	091EP1002A	091EP1002A	091EP1002A	091EP1502A	091EP1502A	091EP1502A	091EP1502A	091EP1502A	
1	VOLUTE	091EP1001	091EP1001	091EP1001	091EP1001	091EP1001	091EP1001	091EP1001	091EP1001	091EP1001	091EP1001	1
2	IMPELLER	091EP1002	091EP1002	091EP1002	091EP1002	091EP1002	091EP1502	091EP1502	091EP1502	091EP1502	091EP1502	1
3	SHAFT-SEAL	091EP5003	091EP5003	091EP5003	091EP5003	091EP5003	091EP5003	091EP5003	091EP5003	091EP5003	091EP5003	1
MOTOR PARTS GROUP		091EP1009A	091EP1039A	091EP1049A	091EP1009A	091EP1039A	091EP1509A	091EP1539A	091EP1549A	091EP1529A	091EP1539A	
4	SEAL PLATE	091EP5004	091EP5004	091EP5004	091EP5004	091EP5004	091EP5004	091EP5004	091EP5004	091EP5004	091EP5004	1
5	WASHER	091EP5005	091EP5005	091EP5005	091EP5005	091EP5005	091EP5005	091EP5005	091EP5005	091EP5005	091EP5005	8
6	SCREW	091EP5006	091EP5006	091EP5006	091EP5006	091EP5006	091EP5006	091EP5006	091EP5006	091EP5006	091EP5006	8
7	O-RING	091EP5007	091EP5007	091EP5007	091EP5007	091EP5007	091EP5007	091EP5007	091EP5007	091EP5007	091EP5007	1
8	STATOR ASSY	091EP1009	091EP1039	091EP1049	091EP1009	091EP1039	091EP1509	091EP1539	091EP1549	091EP1529	091EP1539	1
9	BEARING	091EP5010	091EP5010	091EP5010	091EP5010	091EP5010	091EP5010	091EP5010	091EP5010	091EP5010	091EP5010	2
10	C-RING	091EP5011	091EP5011	091EP5011	091EP5011	091EP5011	091EP5011	091EP5011	091EP5011	091EP5011	091EP5011	1
11	ROTOR ASSY	091EP1012	091EP1012	091EP1012	091EP1012	091EP1012	091EP1512	091EP1512	091EP1512	091EP1512	091EP1512	1
12	SPRING WASHER	091EP5013	091EP5013	091EP5013	091EP5013	091EP5013	091EP5013	091EP5013	091EP5013	091EP5013	091EP5013	1
13	TOP COVER	091EP5014	091EP5014	091EP5014	091EP5014	091EP5014	091EP5014	091EP5014	091EP5014	091EP5014	091EP5014	1
14	GROUND LINE	091EP5015	091EP5315	091EP5315	091EP5015	091EP5315	091EP5015	091EP5315	091EP5315	091EP5015	091EP5315	1
15	SCREW	091EP1016	091EP1016	091EP1016	091EP1016	091EP1016	091EP1016	091EP1016	091EP1016	091EP1016	091EP1016	4
16	CLAMP	091EP5017	NONE	NONE	091EP5017	NONE	091EP5017	NONE	NONE	091EP5017	NONE	1
17	SCREW	091EP5018	NONE	NONE	091EP5018	NONE	091EP5018	NONE	NONE	091EP5018	NONE	1
18	CAPACITOR	091EP5019	NONE	NONE	091EP5019	NONE	091EP5019	NONE	NONE	091EP5019	NONE	1
19	HOUSING	091EP5020	091EP5020	091EP5020	091EP5020	091EP5020	091EP5020	091EP5020	091EP5020	091EP5020	091EP5020	1
20	O-RING	091EP5021	091EP5021	091EP5021	091EP5021	091EP5021	091EP5021	091EP5021	091EP5021	091EP5021	091EP5021	1
21	ADAPTER	091EP5022	091EP5322	091EP5322	091EP5022	091EP5322	091EP5022	091EP5322	091EP5322	091EP5022	091EP5322	1
22	RETAINER RING	091EP5023	091EP5023	091EP5023	091EP5023	091EP5023	091EP5023	091EP5023	091EP5023	091EP5023	091EP5023	1
23	SCREW	091EP5024	091EP5024	091EP5024	091EP5024	091EP5024	091EP5024	091EP5024	091EP5024	091EP5024	091EP5024	2
24	POWER CORD	091EP5026	091EP5326	091EP5326	091EP5026	091EP5326	091EP1526	091EP5326	091EP5326	091EP1526	091EP5326	1
25	HANDLE	091EP5027	091EP5027	091EP5027	091EP5027	091EP5027	091EP5027	091EP5027	091EP5027	091EP5027	091EP5027	1
26	SCREW	091EP5028	091EP5028	091EP5028	091EP5028	091EP5028	091EP5028	091EP5028	091EP5028	091EP5028	091EP5028	2
27	NUT	091EP5029	091EP5029	091EP5029	091EP5029	091EP5029	091EP5029	091EP5029	091EP5029	091EP5029	091EP5029	1



P U M P

Honest, Professional, Dependable

1899 Cottage Street, Ashland, Ohio 44805
Telephone: 855 281-6830 • Fax: 877 326-1994
ashlandpump.com



MANUAL DE OPERACIÓN, DESEMPEÑO, ESPECIFICACIONES Y PIEZAS DE REPUESTO

EP50,75,100,150 1/2, 3/4, 1, 1-1/2 HP Bombas De Efluentes



- Gracias por adquirir esta bomba. Dese un tiempo para leer cuidadosamente estas indicaciones antes de utilizar el producto. Le recomendamos guarde este manual en un lugar seguro para futura referencia.
- Por favor, visite nuestra página web y el Centro de Productos si desea instrucciones adicionales sobre instalación, operación y piezas de repuesto.

GARANTIA LIMITADA

Se garantiza que esta bomba se encuentra libre de defectos materiales, de mano de obra defectuosa y que se desempeñará según las especificaciones pertinentes durante un período de tres años desde la fecha de instalación o 42 meses desde la fecha de fabricación, lo que ocurra primero. En virtud de esta garantía, la obligación se limita a reparar o reemplazar cualquier parte que haya resultado defectuosa, y que nos sea devuelta en el plazo de un año con los gastos de transporte preparados.

La garantía limitada anterior toma el lugar de cualquier otra garantía, expresa o implícita y la corrección de estos defectos por sustitución o reparación constituirá el cumplimiento de todas las obligaciones en virtud de los términos de la garantía, que excluye específicamente los daños incidentales causados por o asociados con este producto o su uso. La garantía no cubre ninguna unidad que haya sido dañado en tránsito, o por mal uso, accidente o negligencia. Ninguna garantía o representante no contenido en el presente documento tendrán carácter vinculante.

MARCAS Y SIGNIFICADO

⚠ PELIGRO "Peligro", indica una situación peligrosa inminente que, si no se evita, PROVOCARÁ MUERTE O LESIÓN GRAVE.

⚠ ADVERTENCIA "Advertencia" indica una situación peligrosa inminente que, si no se evita, PUEDE causar muerte o lesión grave.

⚠ PRECAUCION "Precaución", indica una situación peligrosa que, si no se evita, PUEDE causar lesión leve o moderada.

DESEMPEÑO

Modelo	HP	GPM a Pies totales de Cabeza									
		0'	10'	20'	30'	40'	50'	60'	70'	80'	Max. Cabezal (ft)
EP50	1/2	-	-	92	72	50	2	-	-	-	50
EP75	3/4	-	-	-	96	77	50	-	-	-	60
EP100	1	-	-	-	118	100	80	55	23	-	78
EP150	1-1/2	-	-	-	-	127	110	91	70	40	90



Bomba De Efluentes

Modelo: EP50, EP75, EP100, EP150

Información General de Seguridad

Antes de la instalación, lea atentamente las siguientes instrucciones. De no seguirse las indicaciones e información de seguridad, se podrían causar serios daños personales, muerte y/o daño a la propiedad. Las bombas Ashland Pump son probadas individualmente en la fábrica para asegurar su apropiado desempeño. Seguir cuidadosamente estas indicaciones, eliminará potenciales problemas operativos, asegurando años de servicio sin problemas.

La mayoría de los accidentes se pueden evitar mediante el uso del sentido común.

IMPORTANTE - Ashland Pump no se hace responsable por las pérdidas, lesiones o muertes resultado del incumplimiento de estas advertencias de seguridad, mal uso, abuso o uso indebido de las bombas o aparatos.

PELIGRO Todos los productos devueltos deberán estar limpios, desinfectados o descontaminados antes de su envío, para asegurar que los empleados no estén expuestos a riesgos de salud en el manejo de dichos materiales. Se aplicarán todas las leyes y regulaciones pertinentes.



ADVERTENCIA Bombas con dispositivos de bronce/latón pueden niveles de plomo más altos que los considerados seguros para los sistemas de agua potable. Las agencias gubernamentales han determinado que no se deben utilizar aleaciones de cobre con plomo en instalaciones de agua potable.

ADVERTENCIA Las instalaciones, cableado y conexiones de empalmes deben realizarse en concordancia con el Código de Electricidad Nacional y con todos los códigos estatales y locales pertinentes. Los requisitos pueden variar dependiendo del uso y la ubicación.

ADVERTENCIA Las instalaciones y el servicio será realizado únicamente por personal calificado.

PELIGRO La maquinaria en rotación puede causar amputaciones o laceraciones graves. Manténgase alejado de las aperturas de succión y descarga. **NO introduzca los dedos en la bomba cuando esté conectada a la fuente de energía.**



ADVERTENCIA Cuando trabaje con bombas, utilice siempre protección para la vista. No utilice ropa suelta, ya que puede quedar atrapada en piezas móviles.

PELIGRO Durante la operación las bombas generan calor y presión. Deje que las bombas se enfríen antes de manipularlas o darles servicio.

PELIGRO Voltaje peligroso puede causar descarga, quemaduras o muerte. Esta bomba no está diseñada para su uso en piscinas o instalaciones de agua, donde sea posible el contacto humano con el líquido bombeado.



PELIGRO Riesgo de descargas eléctricas. Siempre desconecte la bomba de la fuente de energía antes de manipularla, para reducir el riesgo de descargas eléctricas. **Bloquee la energía y la etiqueta.**



ADVERTENCIA No utilice estas bombas en agua que esté a más de 145°F. No exceda el desempeño máximo recomendado por el fabricante, ya que esto podría recalentar el motor.

PRECAUCION Asegúrese de que las manijas estén bien seguras antes de levantarlas.

DANGER No levante, transporte o cuelgue la bomba con los cables eléctricos. El daño a los cables puede causar descargas, quemaduras o muerte. Nunca manipule cables conectados con las manos húmedas. Use dispositivos apropiados para levantar.



ADVERTENCIA Con frecuencia, las bombas de sumidero y de aguas residuales manipulan materiales que pueden causar enfermedades y afecciones. Utilice el equipo de protección personal apropiado, cuando trabaje con una bomba o tubería usada. Nunca entre a un sumidero después de que éste haya sido utilizado.

PELIGRO Si la bomba, el motor o los controles no tienen conexión a tierra, antes de conectar la energía, puede causar descargas, quemaduras o muerte.



PELIGRO Estas bombas no están diseñadas para ser instaladas en ubicaciones clasificadas como peligrosas según el Código Nacional de Electricidad, ANSI/NFPA 70.



ADVERTENCIA No introduzca en ninguna alcantarilla, ya sea directamente, o a través de alguna unidad de desperdicios de la cocina o baño: conchas de mariscos, gravilla de acuarios, arena para gatos, objetos plásticos, toallas sanitarias o tampones, pañales, toallas desechables, vendas, materiales inflamables, petróleo o grasa, químicos fuertes, gasolina.

- En cualquier bomba, la operación contra una válvula de descarga cerrada causará rodamiento prematuro y falla en el sello.
- Cualquier cableado de las bombas, deberá ser realizado por un electricista calificado.
- Los cables siempre deben estar protegidos para evitar daños, cortes, punciones y, con frecuencia, se deben revisar abrasiones.
- Nunca manipule cables conectados con las manos húmedas.
- Nunca deje cables o enchufes en el agua.
- Estas bombas se ofrecen en configuración de cableado trifásico y monofásico. Los voltajes varían en función de la aplicación y se puede ver en las tablas de este manual.



Bomba De Efluentes

Modelo: EP50, EP75, EP100, EP150

Especificaciones

IMPORTANTE Antes de la instalación, para referencia futura, tome nota del número del modelo, fecha de MFG, amperios, voltaje, fase y HP, los cuales se encuentran en la placa informativa de la bomba.	Modelo de una sola fase		Numero de modelo _____
	Amperios: _____	Voltios: _____	Fecha MFG: _____
			Fase: _____
			HP: _____
			SN: _____

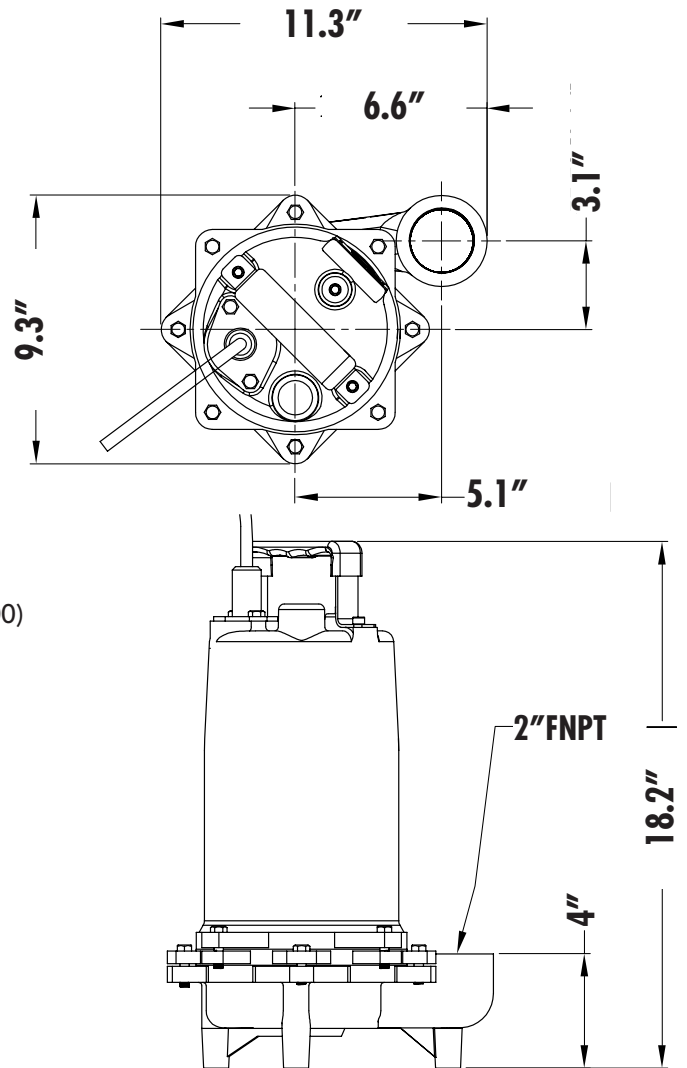
Descripción: Reducir aguas residuales domésticas, comerciales e industriales ligeras

Datos físicos:
TAMAÑO DE DESCARGA: 2" NPT
TIPO DE IMPULSOR: 2- Aspa cerrada, hierro fundido
LONGITUD DE CABLE: 20'

Manipulación de líquidos:
TAMAÑO DE SOLIDOS: 3/4"
TEMPERATURA MÁXIMA DE LÍQUIDOS: 104°F - Intermitente
RANGO DE ACEPTACIÓN DE PH: 6-8

Temperatura:
MÁXIMA EN ESTATOR: 120°C

Datos técnicos
TIPO DE CABLE DE ALIMENTACIÓN: SOW 16/3C (EP50, EP75, EP100)
 SOW 14/3C (EP150)
CARCASA DEL MOTOR: Hierro forjado
VOLUTA: Hierro forjado
IMPULSOR: Hierro forjado
EJE DEL MOTOR: Acero inoxidable 416
HARDWARE: SST
ANILLOS O: NBR
SELLOS: Mecánico simple
 Carbono cerámico
RODAMIENTO SUPERIOR: 6203
RODAMIENTO INFERIOR: 6203





P U M P

Bomba De Efluentes

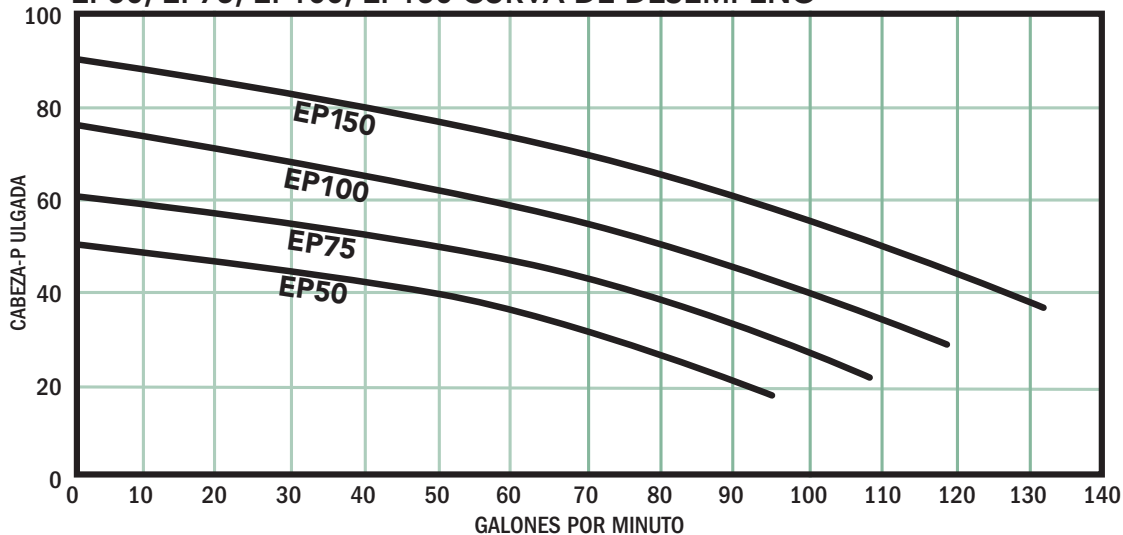
Modelo: EP50, EP75, EP100, EP150

Especificaciones

ESPECIFICACIONES

MODELO	HP	HZ	VOLTIOS/PH	RPM	CARGO TOTAL DE AMPERIOS	COD. INICIO	TIPO DE CABLE	TAMAÑO DE CABLE	ALIMENTACIÓN O.D.	TAMAÑO ROMPEDOR	EJECUTAR CONDENSADOR
EP50M1-20	1/2	60	115/1	3450	12.0	J	SOW	16AWG/3C	0.385-0.430	15A	370V 35MFD±5%
EP50W1-20	1/2	60	115/1	3450	12.0	J	SOW	16AWG/3C	0.385-0.430	15A	370V 35MFD±5%
EP50M2-20	1/2	60	230/1	3450	6.0	J	SOW	16AWG/3C	0.385-0.430	10A	370V 35MFD±5%
EP50M3-20	1/2	60	230/3	3450	3.2	J	SOW	16AWG/4C	0.410-0.460	5A	N/A
EP50M4-20	1/2	60	460/3	3450	1.6	J	SOW	16AWG/4C	0.410-0.460	3A	N/A
EP50M5-20	1/2	60	208/1	3450	6.5	J	SOW	16AWG/3C	0.385-0.430	10A	450V 35MFD±5%
EP50M6-20	1/2	60	208/3	3450	3.5	J	SOW	16AWG/4C	0.410-0.460	5A	N/A
EP50M9-20	1/2	60	575/3	3450	1.2	J	SOW	16AWG/4C	0.410-0.460	3A	N/A
EP75M1-20	3/4	60	115/1	3450	13.0	H	SOW	16AWG/3C	0.385-0.430	15A	450V 35MFD±5%
EP75M2-20	3/4	60	230/1	3450	6.5	H	SOW	16AWG/3C	0.385-0.430	10A	450V 35MFD±5%
EP75M3-20	3/4	60	230/3	3450	4.7	H	SOW	16AWG/4C	0.410-0.460	5A	N/A
EP75M4-20	3/4	60	460/3	3450	2.3	H	SOW	16AWG/4C	0.410-0.460	3A	N/A
EP75M5-20	3/4	60	208/1	3450	8.2	H	SOW	16AWG/3C	0.385-0.430	10A	450V 35MFD±5%
EP75M6-20	3/4	60	208/3	3450	5.0	H	SOW	16AWG/4C	0.410-0.460	5A	N/A
EP75M9-20	3/4	60	575/3	3450	1.8	H	SOW	16AWG/4C	0.410-0.460	3A	N/A
EP100M2-20	1	60	230/1	3450	11.8	H	SOW	16AWG/3C	0.385-0.430	15A	450V 35MFD±5%
EP100M3-20	1	60	230/3	3450	6.0	H	SOW	16AWG/4C	0.410-0.460	10A	N/A
EP100M4-20	1	60	460/3	3450	3.0	H	SOW	16AWG/4C	0.410-0.460	5A	N/A
EP100M5-20	1	60	208/1	3450	12.0	H	SOW	16AWG/3C	0.385-0.430	15A	450V 35MFD±5%
EP100M6-20	1	60	208/3	3450	6.2	H	SOW	16AWG/4C	0.410-0.460	10A	N/A
EP100M9-20	1	60	575/3	3450	2.2	H	SOW	16AWG/4C	0.410-0.460	3A	N/A
EP150M2-20	1-1/2	60	230/1	3450	15.0	G	SOW	14AWG/3C	0.520-0.575	20A	450V 35MFD±5%
EP150M3-20	1-1/2	60	230/3	3450	7.4	G	SOW	16AWG/4C	0.410-0.460	10A	N/A
EP150M4-20	1-1/2	60	460/3	3450	3.7	G	SOW	16AWG/4C	0.410-0.460	5A	N/A
EP150M5-20	1-1/2	60	208/1	3450	15.2	G	SOW	14AWG/3C	0.520-0.575	20A	450V 35MFD±5%
EP150M6-20	1-1/2	60	208/3	3450	7.8	G	SOW	16AWG/4C	0.410-0.460	10A	N/A
EP150M9-20	1-1/2	60	575/3	3450	2.7	G	SOW	16AWG/4C	0.410-0.460	5A	N/A

EP50, EP75, EP100, EP150 CURVA DE DESEMPEÑO



EP50 TABLA DE DESEMPEÑO

La elevación Total (pies)	0	10	20	30	40	50	50
GPM	-	-	92	72	50	2	0

EP75 TABLA DE DESEMPEÑO

La elevación Total (pies)	0	10	20	30	40	50	60
GPM	-	-	-	96	77	50	0

EP100 TABLA DE DESEMPEÑO

La elevación Total (pies)	0	30	40	50	60	70	78
GPM	-	118	100	80	55	23	0

EP150 TABLA DE DESEMPEÑO

La elevación Total (pies)	0	40	50	60	70	80	90
GPM	-	127	110	91	70	40	0



Bomba De Efluentes

Modelo: EP50, EP75, EP100, EP150

Recepción e instalación

Inspección al momento de la recepción

Al recibir la bomba, se debe inspeccionar si hay daños o piezas faltantes. Si se ha producido algún daño, presente un reclamo inmediatamente a la empresa que entregó la bomba. Si retira el manual del empaque, asegúrese de no perderlo o extraviarlo.

Almacenamiento

Cualquier producto que haya estado almacenado por un periodo mayor a los seis (6) meses desde la fecha de adquisición, debe de pasar una prueba de banco antes de ser instalado. Una prueba de banco consiste en revisar que el impulsor pueda rotar libremente y que el motor (y el interruptor si está incluido) funcionen de manera adecuada. No bombee sin líquido.

⚠️ ADVERTENCIA ¡IMPORTANTE! El espacio libre bajo la bomba para la entrada de sólidos residuales debe tener un mínimo de 2 pulgadas y un máximo de 3.5 pulgadas.

Sumersión

Siempre se debe operar la bomba cuando esté sumergida. El nivel mínimo de líquido del sumidero no debe ser menor que por encima del motor de la bomba, a menos que sea muy breve.

Instalación

El sumidero o cuenco debe estar sellado y ventilado según los códigos locales de plomería. Esta bomba está diseñada para bombear aguas residuales domésticas, líquidos no explosivos ni corrosivos y NO se instalará en lugares considerados peligrosos según el Código Eléctrico Nacional (NEC por sus siglas en inglés) ANSI/NFPA 70 o el Código Eléctrico Canadiense (CEC por sus siglas en inglés). La bomba nunca se instalará en una zanja, cuneta o hueco con tierra en el fondo.

Las patas se hundirán en el polvo y atorarán la succión.



FIGURA 1

Tuberías de descarga

Conexión de la tubería o manguera de descarga a la bomba. La tubería de descarga debe ser lo más corta posible y no debe ser más pequeña que la bomba de descarga. No reduzca el tamaño de la tubería de descarga por debajo del que se proporciona con la bomba. Para cada bomba se recomienda una válvula de retención y una de cierre. La válvula de retención se utiliza para evitar reflujos hacia la bomba. La válvula de cierre se utiliza para cerrar el sistema manualmente cuando se le da servicio a la bomba. Asegúrese de que la tubería de descarga tenga un diámetro de 1/8", y se encuentre a aproximadamente 5" del extremo más cercano a la voluta y orientado hacia el cuerpo de la bomba.

Panel de control

Las bombas de efluentes de una sola fase NO requieren de un panel de control, pero si necesitan controlar el nivel con un enchufe tipo piggy-back, ver enchufe piggy-back, figura 2.

Motor: Los motores vienen provistos de un termostato con sensor de calor, el cual se encuentra en las bobinas del motor. El termostato se abre si las bobinas del motor se calientan demasiado y, a su vez, abren el contactor del motor en el panel, cuando es utilizado, cortando el suministro de energía hacia la bomba. Cuando el motor se detiene por sobrecalentamiento, no volverá a arrancar hasta que el motor se haya enfriado.

Antes de operar la bomba

Verifique el voltaje y la fase Antes de operar la bomba, asegúrese de que la información de tensión y voltaje inscrito en la placa de identificación de la bomba coincide con el suministro de energía disponible.

Verifique la rotación de la bomba Before putting pump into service for the first time, the motor rotation must be checked. Improper motor rotation can result in poor pump performance and can damage the motor and/or pump.

Placa de identificación

Tome nota del número de la bomba que se encuentra en la placa de identificación y regístrelo en este manual para referencia futura.

Conexiones eléctricas



Apague el interruptor automático del circuito antes de enchufar o desenchufar el interruptor y/o la bomba. Confíe siempre la instalación a un electricista certificado.

Enchufe piggy-back

Enchufe el enchufe de control de nivel a un receptor de 115V, luego enchufe la bomba a un enchufe piggy-back (ver figura 2). Se recomienda que este circuito tenga un interruptor automático de 15 AMP. Se debe observar un ciclo de operación, para corregir cualquier problema potencial.

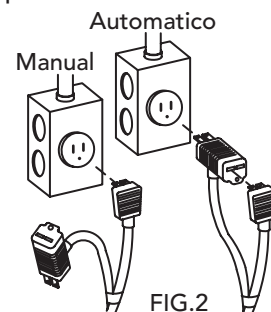


FIG.2



Bomba De Efluentes Modelo: EP50, EP75, EP100, EP150 Recepción e instalación

Recepción e instalación Se recomienda que control de nivel por flotación se coloque de tal forma que el líquido en el sumidero nunca caiga por debajo de la parte superior de la carcasa del motor. El control del nivel debe tener un espacio adecuado para que no cuelgue y que la bomba esté completamente sumergida cuando el control de nivel esté en el modo "Off". La longitud mínima es 3.50". Ajustando la longitud del cable, se puede cambiar el control de nivel.

NO UTILICE EL CABLE DE ALIMENTACIÓN PARA IZAR LA BOMBA.

Prueba de vaciado de bomba - Asegúrese de que la bomba haya conectado, esté en la cuenca o sumidero, verifique el sistema llenando con líquido y permitiendo que la bomba funcione a través de su ciclo de bombeo. Se debe registrar el tiempo requerido para vaciar el sistema, o el tiempo de vaciado, y el volumen de agua.

Protección térmica

El sensor de temperatura (N/C), normalmente cerrado, se encuentra en las bobinas del motor y detectará calor excesivo en caso se de una sobrecarga. El sensor térmico se activará cuando las bobinas estén demasiado calientes y se reseteará automáticamente cuando el motor de la bomba llegue a una temperatura segura. En caso de recalentamiento, se deberá determinar y reparar inmediatamente la causa. La protección térmica no debe utilizarse como un dispositivo de sobrecarga del motor.

Mantenimiento

Se requiere un mantenimiento mínimo. Realice las siguientes verificaciones cuando el motor no esté en operación o cuando se deteriore el desempeño de la bomba:

- Revise los niveles de aceite y contaminación en las cámaras del motor.
- Revise si hay obstrucciones en el impulsor y el cuerpo de la bomba.
- Revise el motor y los rodamientos.
- Revise si hay desgaste o fugas en los sellos.

Servicio

Aceite refrigerante

Cada vez que se retire la bomba del servicio, se debe verificar visualmente el nivel del aceite refrigerante y si tiene contaminantes. Para verificar el aceite, mantenga la unidad recta. Retire la conexión de la tubería de la carcasa. Usando una linterna, inspeccione visualmente el aceite en la carcasa para asegurarse de que esté limpio y claro, el color debe ser ámbar claro y debe estar libre de partículas en suspensión. Si el aceite se ve blanco lechoso, esto indica presencia de agua. El nivel de aceite debe ser justo por encima del motor cuando la bomba se encuentra en posición vertical.

Oil Testing

- Drene el aceite en un recipiente limpio y seco, colocando la bomba de costado. Retire la conexión de la tubería de la carcasa.
- Verifique si hay contaminación en el aceite, utilizando un probador con un rango de 30 kilovoltios.
- Si el aceite está limpio y sin contaminantes (más de 15KV), vuelva a llenar la carcasa.

- Si el aceite está sucio o con contaminantes (menos de 15KV), se deben buscar cuidadosamente fugas en la bomba, en el sello del eje, cableado, anillo O y enchufe de la tubería, antes de volver a llenar el aceite. Para ubicar fugas, realice la siguiente prueba de presión.

Después de haber reparado la fuga, deseche de manera apropiada el aceite viejo, y rellene con nuevo aceite.



La presión se acumula rápidamente, aumente la presión "golpeando" la boquilla de aire. Demasiada presión dañara el sello.

No exceda 10 psi.

Prueba de presión en la carcasa del motor:

Si se ha drenado el aceite, llene hasta el nivel normal antes de realizar la prueba de presión. Retire el enchufe de la tubería de la carcasa del motor.

Aplique un sellador para tubería a la válvula de presión y ajuste el agujero. Presurice la carcasa del motor a 10 psi. Utilice una solución jabonosa alrededor de las áreas selladas sobre el nivel del aceite y verifique si hay burbujas de aire en las juntas. En áreas selladas que se encuentren bajo el nivel del aceite, se verán fugas de aceite. Si después de cinco minutos, la presión sigue constante y no hay burbujas/filtración de aceite, purgue la presión lentamente y retire el medidor. Reemplace el aceite. Si no se mantiene la presión, se debe ubicar y reparar la fuga.

Cambio de aceite en la carcasa del motor

Retire la tubería de la carcasa del motor. Drene todo el aceite (si es que aún no lo ha hecho) de la carcasa del motor y deséchelo siguiendo el Código Local. Ponga derecha la bomba y rellene con nuevo aceite refrigerante, ver cuadro "Aceite refrigerante". Llene justo sobre el motor (2.1L) ya que debe haber un espacio en la parte superior de la carcasa del motor para compensar la expansión del aceite. Aplique un compuesto para roscas de tuberías en las roscas, luego ensamble la carcasa. Verifique que el anillo O se encuentre en su lugar y que no sea necesario reemplazarlo. Vuelva a poner el cable en la carcasa.



! NO llene demasiado aceite. Si se pone demasiado aceite en la carcasa se puede crear excesiva y peligrosa presión hidráulica, lo cual puede destruir la bomba y causar peligro. Llenar con demasiado aceite invalida la garantía.

Proveedores y grados de aceite refrigerante recomendados	
BP	Enerpar SE100
Conoco	Pale Paraffin 22
Mobile	D.T.E. Oil Light
Shell Canada	Transformer-10
Texaco	Diala-Oil-AX



ADVERTENCIA

Antes de realizar cualquier servicio, desconecte y bloquee la alimentación eléctrica a la bomba.



Bomba De Efluentes Modelo: EP50, EP75, EP100, EP150 Instalación y servicio

Voluta – Retire los tornillos de cabeza de la voluta
Impulsor – Retire el impulsor girando cuidadosamente en sentido anti horario, puede ser que se requiere aplicar calor. No almacene la bomba sin el impulsor en su lugar.

Sello – Manipule con cuidado los sellos. Retire del eje la parte giratoria. Retire de la placa el componente que está en el resorte. Examine todas las partes del sello. Revise las caras de contacto, verifique si hay desgaste desigual, ralladuras o partículas en la cara estacionaria, o en cualquiera de las caras. NO intercambie los componentes del sello, de ser necesario reemplace todo el sello del eje.

Placa del sello – Retire los tornillos de la placa. Retire la placa y el anillo O.

Rodamientos – Retire los rodamientos del eje, utilizado un extractor de rodamientos. Retire del eje el rodamiento de la parte superior del motor con un extractor de rodamientos.



Importante – todas las piezas deben estar limpias antes de volver a ensamblar.
Manipule con extremo cuidado los sellos. No dañe las superficies pulidas.

REENSAMBLADO

Rodamientos – tenga cuidado de no dañar el eje del rotor cuando reemplace los rodamientos. Utilizando una prensa de husillo, sostenga el rotor y presione el rodamiento superior al rotor del eje, solo aplique fuerza a la parte interior del rodamiento. Reemplace el rodamiento inferior (49) de la misma manera.

Placa del sello – lubrique y coloque el anillo O en la placa del sello. Coloque la placa del sello sobre el eje, asegúrese de que el anillo O no esté torcido y que esté en la ranura. Coloque cuatro tornillos en la carcasa y la placa del sello y par 6.5 ft/lbs.

Sello exterior – limpie y ponga aceite en la cavidad del sello estacionario en la placa del sello. Deslice la herramienta guía sobre el eje. Aceite ligeramente (no utilice grasa) la superficie exterior de la parte estacionaria del sello.

Presione firmemente en la placa del sello utilizando una herramienta para empujar. Asegúrese de que el miembro estacionario esté recto. Nada debe entrar en contacto con la cara del sello, salvo la herramienta para empujar.



IMPORTANTE No use martillo con la herramienta para empujar. Dañaría la cara del sello.

Con la cara pulida del miembro giratorio orientada hacia la parte estacionaria, deslice la parte giratoria en el eje, hasta que las caras pulidas de las partes giratoria y estacionaria estén juntas.

Impulsor – coloque el impulsor en el eje girando en sentido horario. Se recomienda un compuesto de bloqueo de rosca azul.

Voluta – coloque la voluta en la placa del sello. Coloque los tornillos a través de la voluta y en la placa del sello. Luego par hasta 11 ft/lbs.



Bomba De Efluentes

Modelo: EP50, EP75, EP100, EP150

Instalación y servicio

Instalación de la bomba en el contenedor

Instale la bomba en un contenedor apropiadamente ventilado siguiendo los códigos y regulaciones locales. Se recomiendan tuberías de PVC, así como válvulas de retención y de cierre de plástico. Perfore un orificio de 1/8" en la tubería de descarga bajo la válvula de retención. Instale la válvula de retención a 12" sobre la descarga de la bomba. Ver figura 3.

Arranque de la bomba luego de haber sido instalada en el sumidero

Antes de bajar la bomba al contenedor, conecte las líneas eléctricas y arranque el motor. El impulsor debe girar en sentido anti horario, viendo hacia el impulsor.

Servicio y reparación

Importante: antes de empezar a desensamblar la bomba, ésta debe estar limpia y libre de desechos (páginas 6 – 8).

⚠️ ADVERTENCIA Desconecte todos los cables de corriente eléctrica y control del motor y panel de control antes de empezar a desensamblar. Nunca confíe solamente en el interruptor automático.

⚠️ PRECAUCION Las bombas en operación generan calor y presión, deje que la bomba enfríe a temperatura ambiente.

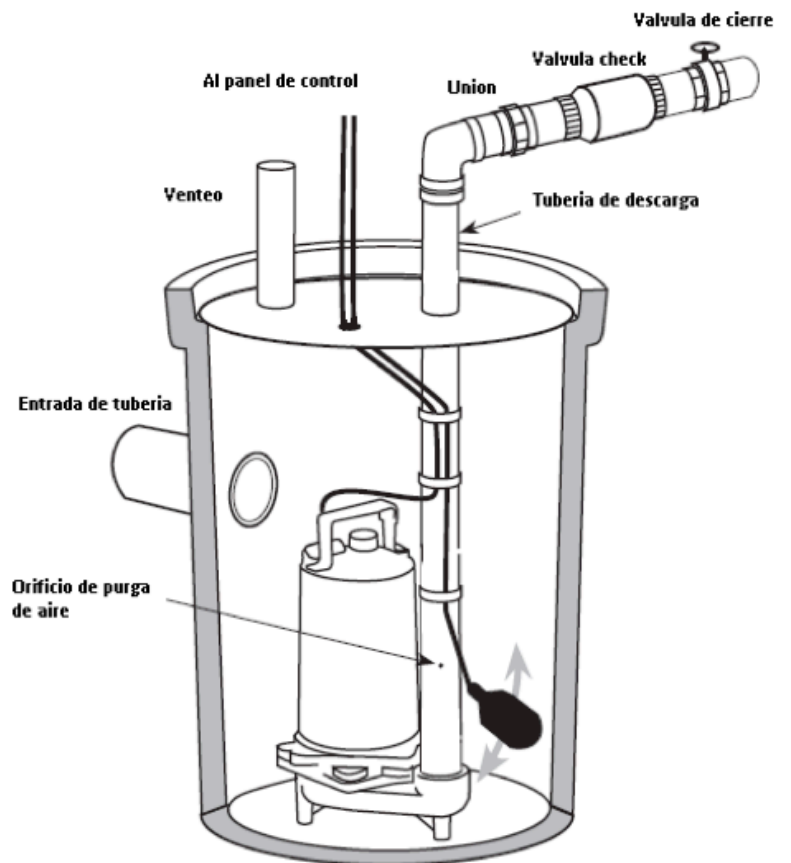


FIGURA 3



Bomba De Efluentes

Modelo: EP50, EP75, EP100, EP150

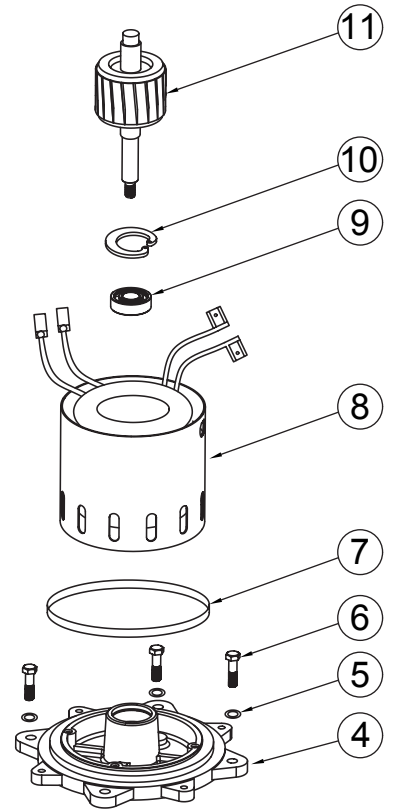
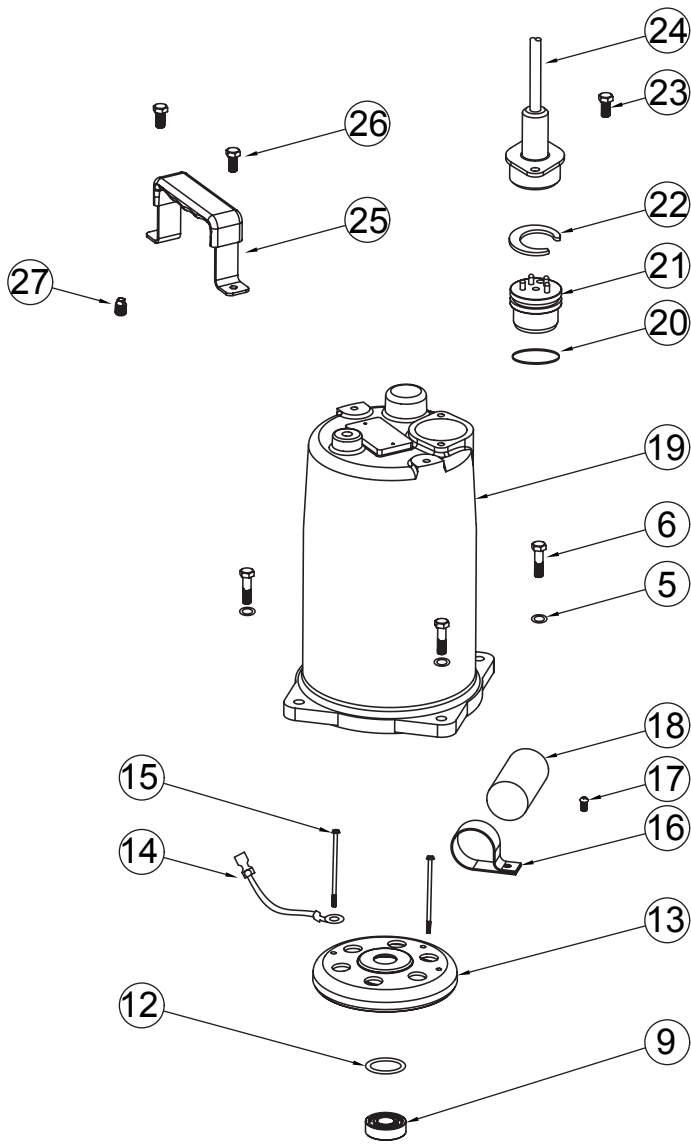
Solución de problemas

PROBLEMAS	CAUSAS POSIBLES/SOLUCIONES
La bomba no funciona, solo hace ruido	<ul style="list-style-type: none"> • El interruptor está apagado, o el fusible ha volado o está suelto • El nivel de agua en el sumidero no ha llegado al nivel indicado en el diagrama de instalación • El cable de la bomba no hace contacto • El flotador está atracado. Debe operar libremente en el contenedor • Si todo lo anterior está bien, el motor debe tener algún defecto
La bomba funciona, pero no suministra agua	<ul style="list-style-type: none"> • Verifique si la válvula está instalada al revés. La flecha de la válvula debe apuntar en dirección del flujo • La válvula de cierre de descarga (si se utiliza) debe estar cerrada • El impulsor o las aperturas de la voluta deben estar total o parcialmente obstruidas. Retire la bomba y limpie • La bomba tiene un bloqueo de aire. Arránquela y párela varias veces, conectando y desconectando el cable. Verifique si hay obstrucciones en el orificio de ventilación en la carcasa • Los orificios de entrada en la base de la bomba están obstruidos. Retire la bomba y limpie los orificios • La distancia vertical de bombeo es demasiado alta. Reduzca la distancia o cambie la descarga de la bomba
La bomba funciona y bombea, pero no se detiene	<ul style="list-style-type: none"> • El flotador está atascado en la posición superior. Asegúrese de que el flotador funcione libremente • Interruptor del flotador defectuoso. Reemplace el interruptor
La bomba funciona, pero solo suministra una pequeña cantidad de agua	<ul style="list-style-type: none"> • La bomba tiene un bloqueo de aire. Arránquela y párela varias veces, conectando y desconectando el cable. Verifique si hay obstrucciones en el orificio de ventilación en la carcasa • La distancia vertical de bombeo es demasiado alta. Reduzca la distancia o cambie la descarga de la bomba. Los orificios de entrada en la base de la bomba están obstruidos. Retire la bomba y limpie los orificios • El impulsor o las aperturas de la voluta deben estar total o parcialmente obstruidas. Retire la bomba y limpie • El impulsor de la bomba está parcialmente obstruido con alquitrán o pintura, haciendo que el motor reduzca la velocidad o se sobrecargue. Retire la bomba y límpiela.
Volaron los fusibles o el interruptor al arrancar la bomba	<ul style="list-style-type: none"> • El impulsor de la bomba está parcialmente obstruido con alquitrán o pintura, haciendo que el motor reduzca la velocidad o se sobrecargue. Retire la bomba y límpiela. • El estator del motor puede estar defectuoso • El fusible o el interruptor puede ser muy pequeño (debe ser de 14 amperios) • El impulsor o las aperturas de la voluta deben estar total o parcialmente obstruidas. Retire la bomba y limpie
El motor funciona solo un tiempo y se detiene	<ul style="list-style-type: none"> • Las entradas en la base de la bomba están obstruidas. Retire la bomba y limpie las aperturas. • El impulsor se encuentra parcialmente obstruido haciendo que el motor reduzca su velocidad y se sobrecargue. Retire el motor y límpielo. • El estator del motor puede estar defectuoso • El impulsor o las aperturas de la voluta deben estar total o parcialmente obstruidas. Retire la bomba y limpie. También limpie el filtro, si tiene uno instalado.

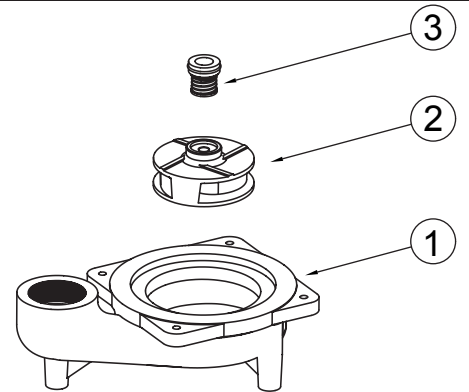
PRECAUCIONES ELÉCTRICAS

⚠ ADVERTENCIA Antes de darle servicio a la bomba, cierre siempre la fuente de energía y desconecte la bomba. Asegúrese de no estar parado en agua y que usar zapatos de seguridad con suela aislante, si trabaja en zona inundadas. Contacte a su empresa eléctrica local o a un electricista calificado para desconectar la corriente eléctrica antes de retirar la bomba.

GRUPO DE PIEZAS DE MOTOR



GRUPO DE PIEZAS SUMERGIBLES





Bomba De Efluentes

Model: EP50, EP75

Partes

NO.	DESCRIPCIÓN	PARTE NO.												
		EP50M1-20	EP50M2-20	EP50M3-20	EP50M4-20	EP50M5-20	EP50M6-20	EP75M1-20	EP75M2-20	EP75M3-20	EP75M4-20	EP75M5-20	EP75M6-20	
		115V/1PH	230V/1PH	230V/3PH	460V/3PH	208V/1PH	208V/3PH	115V/1PH	230V/1PH	230V/3PH	460V/3PH	208V/1PH	208V/3PH	
GRUPO DE PIEZAS SUMERGIBLES		091EP5002A	091EP5002A	091EP5002A	091EP5002	091EP5002A	091EP5002A	091EP7502A	091EP7502A	091EP7502A	091EP7502A	091EP7502A	091EP7502A	
1	VOLUTA	091EP5001	091EP5001	091EP5001	091EP5001	091EP5001	091EP5001	091EP5001	091EP5001	091EP5001	091EP5001	091EP5001	091EP5001	1
2	IMPULSOR	091EP5002	091EP5002	091EP5002	091EP5002	091EP5002	091EP5002	091EP7502	091EP7502	091EP7502	091EP7502	091EP7502	091EP7502	1
3	SELLO DEL EJE	091EP5003	091EP5003	091EP5003	091EP5003	091EP5003	091EP5003	091EP5003	091EP5003	091EP5003	091EP5003	091EP5003	091EP5003	1
GRUPO DE PIEZAS DE MOTOR		091EP5008A	091EP5009A	091EP5039A	091EP5049A	091EP5009A	091EP5039A	091SWH519A	091EP7509A	091SWH539A	091SWH549A	091EP7509A	091SWH539A	
4	PLACA DE SELLO	091EP5004	091EP5004	091EP5004	091EP5004	091EP5004	091EP5004	091EP5004	091EP5004	091EP5004	091EP5004	091EP5004	091EP5004	1
5	TORNILLO	091EP5005	091EP5005	091EP5005	091EP5005	091EP5005	091EP5005	091EP5005	091EP5005	091EP5005	091EP5005	091EP5005	091EP5005	8
6	LA ARANDELA	091EP5006	091EP5006	091EP5006	091EP5006	091EP5006	091EP5006	091EP5006	091EP5006	091EP5006	091EP5006	091EP5006	091EP5006	8
7	ANILLO-O	091EP5007	091EP5007	091EP5007	091EP5007	091EP5007	091EP5007	091EP5007	091EP5007	091EP5007	091EP5007	091EP5007	091EP5007	1
8	ESTATOR ASSY	091EP5008	091EP5009	091EP5039	091EP5049	091EP5009	091EP5039	091SWH519	091EP7509	091SWH539	091SWH549	091EP7509	091SWH539	1
9	RODAMIENTO	091EP5010	091EP5010	091EP5010	091EP5010	091EP5010	091EP5010	091EP5010	091EP5010	091EP5010	091EP5010	091EP5010	091EP5010	2
10	ANILLO-C	091EP5011	091EP5011	091EP5011	091EP5011	091EP5011	091EP5011	091EP5011	091EP5011	091EP5011	091EP5011	091EP5011	091EP5011	1
11	ROTOR CONJUNTO	091EP5012	091EP5012	091EP5012	091EP5012	091EP5012	091EP5012	091EP7512	091EP7512	091EP7512	091EP7512	091EP7512	091EP7512	1
12	ARANDELA MUELLE	091EP5013	091EP5013	091EP5013	091EP5013	091EP5013	091EP5013	091EP5013	091EP5013	091EP5013	091EP5013	091EP5013	091EP5013	1
13	CUBIERTA SUPERIOR	091EP5014	091EP5014	091EP5014	091EP5014	091EP5014	091EP5014	091EP5014	091EP5014	091EP5014	091EP5014	091EP5014	091EP5014	1
14	LINNEA A TIERRA	091EP5015	091EP5015	091EP5315	091EP5315	091EP5015	091EP5315	091EP5015	091EP5015	091EP5315	091EP5315	091EP5015	091EP5315	1
15	TORNILLO	091EP5016	091EP5016	091EP5016	091EP5016	091EP5016	091EP5016	091EP5016	091EP5016	091EP5016	091EP5016	091EP5016	091EP5016	4
16	CLMP	091EP5017	091EP5017	NONE	NONE	091EP5017	NONE	091EP5017	091EP5017	NONE	NONE	091EP5017	NONE	1
17	TORNILLO	091EP5018	091EP5018	NONE	NONE	091EP5018	NONE	091EP5018	091EP5018	NONE	NONE	091EP5018	NONE	1
18	CAPACITOR	091EP5019	091EP5019	NONE	NONE	091EP5019	NONE	091EP5019	091EP5019	NONE	NONE	091EP5019	NONE	1
19	CARCASA	091EP5020	091EP5020	091EP5020	091EP5020	091EP5020	091EP5020	091EP5020	091EP5020	091EP5020	091EP5020	091EP5020	091EP5020	1
20	ANILLO-O	091EP5021	091EP5021	091EP5021	091EP5021	091EP5021	091EP5021	091EP5021	091EP5021	091EP5021	091EP5021	091EP5021	091EP5021	1
21	ADAPTADOR	091EP5022	091EP5022	091EP5322	091EP5322	091EP5022	091EP5322	091EP5022	091EP5022	091EP5322	091EP5322	091EP5022	091EP5322	1
22	ANILLO RETENCION	091EP5023	091EP5023	091EP5023	091EP5023	091EP5023	091EP5023	091EP5023	091EP5023	091EP5023	091EP5023	091EP5023	091EP5023	1
23	TORNILLO	091EP5024	091EP5024	091EP5024	091EP5024	091EP5024	091EP5024	091EP5024	091EP5024	091EP5024	091EP5024	091EP5024	091EP5024	2
24	CABLE DE ALIMENTACION	091EP5025	091EP5026	091EP5326	091EP5326	091EP5026	091EP5326	091EP5025	091EP5026	091EP5326	091EP5326	091EP5026	091EP5326	1
25	MANIJA	091EP5027	091EP5027	091EP5027	091EP5027	091EP5027	091EP5027	091EP5027	091EP5027	091EP5027	091EP5027	091EP5027	091EP5027	1
26	TORNILLO	091EP5028	091EP5028	091EP5028	091EP5028	091EP5028	091EP5028	091EP5028	091EP5028	091EP5028	091EP5028	091EP5028	091EP5028	2
27	TUERCA	091EP5029	091EP5029	091EP5029	091EP5029	091EP5029	091EP5029	091EP5029	091EP5029	091EP5029	091EP5029	091EP5029	091EP5029	1



Bomba De Efluentes

Model: EP10, EP150

Partes

NO.	DESCRIPCIÓN	PARTE No.										Q'TY
		EP100M2-20	EP100M3-20	EP100M4-20	EP100M5-20	EP100M6-20	EP150M2-20	EP150M3-20	EP150M4-20	EP150M5-20	EP150M6-20	
		230V/1PH	230V/3PH	460V/3PH	208V/1PH	208V/3PH	230V/1PH	230V/3PH	460V/3PH	208V/1PH	208V/3PH	
GRUPO DE PIEZAS SUMERGIBLES		091EP1002A	091EP1002A	091EP1002A	091EP1002A	091EP1002A	091EP1502A	091EP1502A	091EP1502A	091EP1502A	091EP1502A	
1	VOLUTA	091EP1001	091EP1001	091EP1001	091EP1001	091EP1001	091EP1001	091EP1001	091EP1001	091EP1001	091EP1001	1
2	IMPULSOR	091EP1002	091EP1002	091EP1002	091EP1002	091EP1002	091EP1502	091EP1502	091EP1502	091EP1502	091EP1502	1
3	SELLO DEL EJE	091EP5003	091EP5003	091EP5003	091EP5003	091EP5003	091EP5003	091EP5003	091EP5003	091EP5003	091EP5003	1
GRUPO DE PIEZAS DE MOTOR		091EP1009A	091EP1039A	091EP1049A	091EP1009A	091EP1039A	091EP1509A	091EP1539A	091EP1549A	091EP1529A	091EP1539A	
4	PLACA DE SELLO	091EP5004	091EP5004	091EP5004	091EP5004	091EP5004	091EP5004	091EP5004	091EP5004	091EP5004	091EP5004	1
5	TORNILLO	091EP5005	091EP5005	091EP5005	091EP5005	091EP5005	091EP5005	091EP5005	091EP5005	091EP5005	091EP5005	8
6	LA ARANDELA	091EP5006	091EP5006	091EP5006	091EP5006	091EP5006	091EP5006	091EP5006	091EP5006	091EP5006	091EP5006	8
7	ANILLO-O	091EP5007	091EP5007	091EP5007	091EP5007	091EP5007	091EP5007	091EP5007	091EP5007	091EP5007	091EP5007	1
8	ESTATOR ASSY	091EP1009	091EP1039	091EP1049	091EP1009	091EP1039	091EP1509	091EP1539	091EP1549	091EP1529	091EP1539	1
9	RODAMIENTO	091EP5010	091EP5010	091EP5010	091EP5010	091EP5010	091EP5010	091EP5010	091EP5010	091EP5010	091EP5010	2
10	ANILLO-C	091EP5011	091EP5011	091EP5011	091EP5011	091EP5011	091EP5011	091EP5011	091EP5011	091EP5011	091EP5011	1
11	ROTOR CONJUNTO	091EP1012	091EP1012	091EP1012	091EP1012	091EP1012	091EP1512	091EP1512	091EP1512	091EP1512	091EP1512	1
12	ARANDELA MUELLE	091EP5013	091EP5013	091EP5013	091EP5013	091EP5013	091EP5013	091EP5013	091EP5013	091EP5013	091EP5013	1
13	CUBIERTA SUPERIOR	091EP5014	091EP5014	091EP5014	091EP5014	091EP5014	091EP5014	091EP5014	091EP5014	091EP5014	091EP5014	1
14	LINNEA A TIERRA	091EP5015	091EP5315	091EP5315	091EP5015	091EP5315	091EP5015	091EP5315	091EP5315	091EP5015	091EP5315	1
15	TORNILLO	091EP1016	091EP1016	091EP1016	091EP1016	091EP1016	091EP1016	091EP1016	091EP1016	091EP1016	091EP1016	4
16	CLMP	091EP5017	NONE	NONE	091EP5017	NONE	091EP5017	NONE	NONE	091EP5017	NONE	1
17	TORNILLO	091EP5018	NONE	NONE	091EP5018	NONE	091EP5018	NONE	NONE	091EP5018	NONE	1
18	CAPACITOR	091EP5019	NONE	NONE	091EP5019	NONE	091EP5019	NONE	NONE	091EP5019	NONE	1
19	CARCASA	091EP5020	091EP5020	091EP5020	091EP5020	091EP5020	091EP5020	091EP5020	091EP5020	091EP5020	091EP5020	1
20	ANILLO-O	091EP5021	091EP5021	091EP5021	091EP5021	091EP5021	091EP5021	091EP5021	091EP5021	091EP5021	091EP5021	1
21	ADAPTADOR	091EP5022	091EP5322	091EP5322	091EP5022	091EP5322	091EP5022	091EP5322	091EP5322	091EP5022	091EP5322	1
22	ANILLO RETENCION	091EP5023	091EP5023	091EP5023	091EP5023	091EP5023	091EP5023	091EP5023	091EP5023	091EP5023	091EP5023	1
23	TORNILLO	091EP5024	091EP5024	091EP5024	091EP5024	091EP5024	091EP5024	091EP5024	091EP5024	091EP5024	091EP5024	2
24	CABLE DE ALIMENTACION	091EP5026	091EP5326	091EP5326	091EP5026	091EP5326	091EP1526	091EP5326	091EP5326	091EP1526	091EP5326	1
25	MANIJA	091EP5027	091EP5027	091EP5027	091EP5027	091EP5027	091EP5027	091EP5027	091EP5027	091EP5027	091EP5027	1
26	TORNILLO	091EP5028	091EP5028	091EP5028	091EP5028	091EP5028	091EP5028	091EP5028	091EP5028	091EP5028	091EP5028	2
27	TUERCA	091EP5029	091EP5029	091EP5029	091EP5029	091EP5029	091EP5029	091EP5029	091EP5029	091EP5029	091EP5029	1



P U M P

Honest, Professional, Dependable

1899 Cottage Street, Ashland, Ohio 44805
Telephone: 855 281-6830 • Fax: 877 326-1994
ashlandpump.com



OPERATION, PERFORMANCE
ET SPECIFICATIONS

EP50,75,100,150

1/2, 3/4, 1 et 1-1/2 HP

Fonte robuste Pompes pour effluents



- Merci d'avoir acheté cette pompe. Prenez le temps pour lire attentivement les instructions avant d'utiliser ce produit. Nous recommandons fortement que vous gardiez ce manuel d'instructions dans un endroit sûr pour la référence future.
- Référez-vous à notre site Web et au Centre des Produits pour les instructions supplémentaires d'installation et de fonctionnement s'il vous plaît.
- Référez-vous au site Web pour l'information des parts de remplacement.

GARANTIE LIMITÉE

Cette pompe est garantie exempt des défauts de matériaux et de fabrication et à effectuer au sein des spécifications applicables pour une période trois années à la d'installation ou 42 mois à compter de la date de fabrication, selon la première éventualité. L'obligation sous cette garantie est limitée à la réparation ou au remplacement de toute partie de celle-ci, qui sont moins d'un an nous être retournés avec les frais de transport prépayés, et avérés défectueux. La garantie limitée cidessus prend la place de toutes les autres garanties, expresses ou implicites et la correction de ces défauts par le remplacement ou la réparation doit constituer une réalisation de toutes les obligations aux termes de la garantie, qui EXCLUT expressément tous les dommages accidentels en causés par ou associés à ce produit ou son utilisation. Cette garantie ne couvre aucun appareil qui a été endommagé en transit ou par une mauvaise utilisation, d'un accident ou d'une négligence. aucune garantie ou représentation non contenue dans ce document sont obligatoires.

MARQUES ET SENS

⚠ DANGER Danger "Danger" indique une situation dangereuse imminente qui, si elle n'est pas évitée, ENTRAÎNERA la mort ou des blessures graves.

⚠ AVERTISSEMENT "Avertissement" indique une situation dangereuse imminente qui, si elle n'est pas évitée, PEUT entraîner la mort ou des blessures graves.

⚠ ATTENTION "Attention" indique une situation potentiellement dangereuse qui, si elle n'est pas évitée, PEUT entraîner des blessures mineures ou modérées.

PERFORMANCE

Model	HP	GPM au Pied Total de la Tête									
		0'	10'	20'	30'	40'	50'	60'	70'	80'	Max. Tête (ft)
EP50	1/2	-	-	92	72	50	2	-	-	-	50
EP75	3/4	-	-	-	96	77	50	-	-	-	60
EP100	1	-	-	-	118	100	80	55	23	-	78
EP150	1-1/2	-	-	-	-	127	110	91	70	40	90



Pompes pour effluent

Modèles: EP50, EP75, EP100, EP150

Information de sécurité générale

Avant l'installation, lisez ce qui suit dans les instructions attentivement. Le défaut de suivre les instructions et l'information de sécurité pourrait causer des blessures corporelles graves, la mort et / ou des dommages matériels. Chaque pompe d'Ashland est individuellement testée en usine pour assurer la performance correcte. Suivre ces instructions permettra d'éliminer les problèmes de fonctionnement potentiels assurant des années de service sans problème.

La plupart des accidents peuvent être évités en utilisant le sens commun. IMPORTANT - La pompe d'Ashland n'est pas responsable pour les pertes, les blessures ou la mort résultant du non-respect de ces consignes de sécurité, l'abus ou mauvaise utilisation de pompes ou de l'équipement.

⚠ DANGER Tous les produits retournés doivent être nettoyés, désinfectés ou décontaminés avant l'expédition, afin que les employés ne soient pas exposés à des risques de santé dans la manipulation desdits matériaux. Toutes les lois et les règlements en vigueur sont applicables.



⚠ ADVERTISSEMENT Les pompes équipées en bronze/laiton contiennent des niveaux de plomb élevés que considéré comme sûr pour les systèmes d'eau potable. Les organismes gouvernementaux ont déterminé que les alliages de cuivre au plomb ne doivent pas être utilisés dans des applications d'eau potable.

⚠ ADVERTISSEMENT L'installation, le câblage, et connexions de jonction doivent être conformes au Code national de l'électricité et à tous les codes d'état et locales applicables.

⚠ ADVERTISSEMENT L'installation et l'entretien doit être effectué uniquement par du personnel qualifiés.

⚠ DANGER Les Machines tournantes. L'amputation ou les lacérations graves peuvent en résulter.



Restez à l'écart des ouvertures d'aspiration et de refoulement. N'insérez PAS les doigts dans la pompe avec une puissance connectée.

⚠ ADVERTISSEMENT Portez toujours la protection des yeux lorsqu'on travaille sur les pompes. Ne portez pas de vêtements amples qui pourraient se coincer dans les pièces mobiles.

⚠ DANGER Les pompes accumulent la chaleur et de la pression pendant le fonctionnement. Attendez du temps pour les pompes refroidissent avant de la manipulation ou de l'entretien.

⚠ DANGER Le voltage dangereux peut électrocuter, brûler ou provoquer la mort. Cette pompe est pas destinée à une utilisation dans des piscines ou des installations d'eau où le contact humain avec le fluide pompé est possible.



⚠ DANGER Risque de choc électrique. Pour réduire le risque de choc électrique, débranchez toujours la pompe de la source d'alimentation avant de les manipuler. **Verrouiller l'alimentation & tag**



⚠ ADVERTISSEMENT Ne pas utiliser ces pompes dans l'eau plus de 145 ° F. Ne dépassez pas les performances maximales recommandées par le fabricant, car cela pourrait provoquer une surchauffe du moteur.

⚠ ATTENTION Assurez-vous que les poignées de levage sont solidement attachées à chaque fois avant de soulever.

⚠ DANGER Ne soulevez pas, ni transporte ni suspendez la pompe par les câbles électriques. Les dommages aux câbles électriques peuvent provoquer des décharges, des brûlures ou la mort. Ne manipulez jamais les cordons d'alimentation connectés avec les mains mouillées. Utiliser un appareil de levage approprié.



⚠ ADVERTISSEMENT Le puisard et les pompes d'eaux usées manipulent souvent des matériaux qui pourraient causer une maladie ou d'une maladie. Portez des vêtements de protection adéquats lorsqu'on travaille sur une pompe ou une tuyauterie utilisée. N'entrez jamais dans un bassin après qu'il a été utilisé.

⚠ DANGER Le défaut de mise à la terre de façon permanente la pompe, le moteur et les commandes avant de brancher sur le courant peuvent provoquer un choc, des brûlures ou la mort.



⚠ DANGER Ces pompes NE doivent PAS être installées dans des endroits classés comme dangereux conformément au Code National Electrique, ANSI / NFPA 70.



⚠ ADVERTISSEMENT N'introduisez pas dans les égouts, soit directement, soit à travers une unité d'élimination des déchets de cuisine ou les toilettes: les Coquilles de fruits de mer, le Gravier de l'Aquarium, la Litière pour le Chat, l' Objets en plastique, les Serviettes hygiéniques ou les Tampons, les Couches, les chiffons, les lingettes jetables ou le Tissu, Les médicaments, la Matière inflammable, l' Huile ou la Graisse, les Produits Fortement Chimiques, l' Essence.

- L'opération contre une vanne de décharge fermée entraînera la défaillance du palier prématuré et d'étanchéité sur toute pompe.
- Tout le câblage des pompes doit être effectué par un électricien qualifié.
- Le câble doit être protégé à tout moment pour éviter les crevaisons, les coupures, des ecchymoses et des inspectez fréquemment.
- Ne manipulez jamais les cordons d'alimentation connectés avec les mains mouillées.
- Ne laissez jamais les cordons ou les fiches se trouver dans l'eau à l'extérieur du puisard.
- Ces pompes sont offertes dans une configuration de câblage triphasé et monophasé. Les voltages varient selon l'application et peuvent être vus dans les tableaux de ce manuel.



Pompes pour effluent

Modèles: EP50, EP75, EP100, EP150

Spécifications

IMPORTANT

Avant l'installation, recordez le numéro du modèle, Date de MFG, Ampère, le Voltage, la phase et HP de la plaque signalétique de la pompe pour la référence future. Notez également le voltage et les lectures de courant au démarrage.

Modèles monophasés		Numéro du Modèle:
Amps:	Voltagés:	Datede MFG: _____
		Phase: _____
		HP: _____
		SN: _____

Description:

pour pomper les eaux usées industrielle domestique, commercial et industriel léger

Donnees Physiques:

TAILLE DE DÉCHARGE
TYPE DE L'IMPELLEUR
LONGUEUR DU CÂBLE

2" NPT
2- Pale, Fonte
20'

Manipulation De Liquide:

TAILLE DES SOLIDES
GAMME DE PH ACCEPTABLE

3/4"
6-8

Temperature:

STATOR MAXIMAL

120°C

Donnees Techniques:

TYPE DE CORDON D'ALIMENTATION

SOW 16/3C (EP50, EP75, EP100)
SOW 14/3C (EP150)

BOÎTIER DU MOTEUR

Fonte

VOLUTE

Fonte

IMPELLEUR

Fonte

ARBRE DU MOTEUR

SS416

MATÉRIEL

SST

ANNEAU D"O"

NBR

SCELLÉS

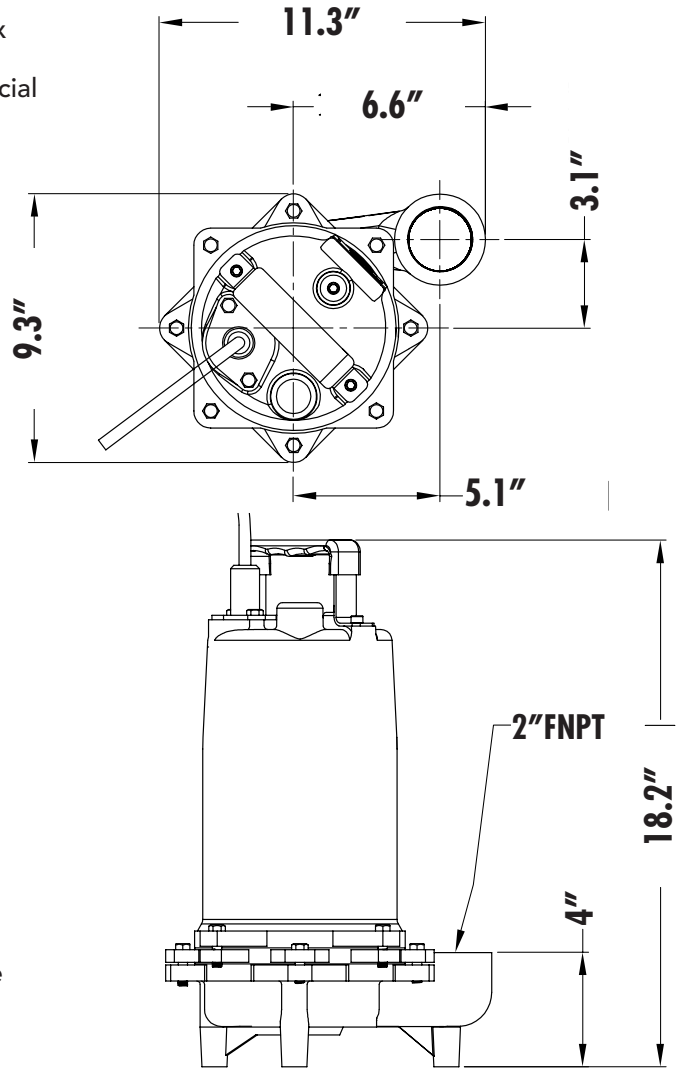
Mechanique Simple
Carbone / Céramique

PALIER SUPÉRIEUR

6202

PALIER INFÉRIEUR

6203





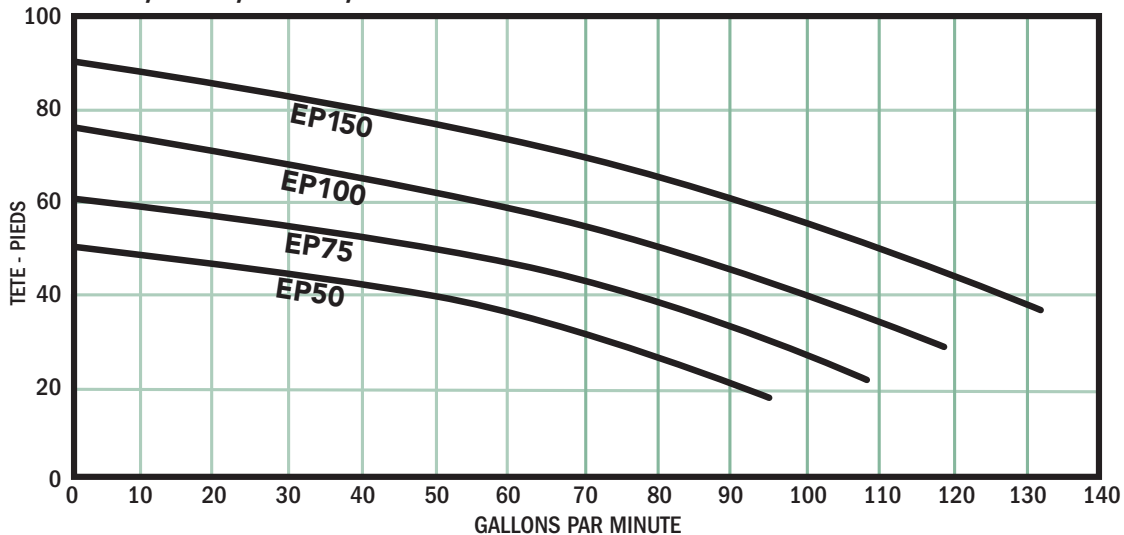
Pompes pour effluent

Modèles: EP50, EP75, EP100, EP150

Specifications et Performance

MODELE	HP	HZ	VOLTS/PH	RPM	PLEINE CHARGE AMPERES	CODE DE DEPAER DE NEMA	DE CORDON	TYPE DE CORDON	TAILLE DE CORDON	D.E. DE COUPE	TAILLE EXECUTER CONDENSATEUR
EP50M1-20	1/2	60	115/1	3450	12.0	J	SOW	16AWG/3C	0.385-0.430	15A	370V 35MFD±5%
EP50W1-20	1/2	60	115/1	3450	12.0	J	SOW	16AWG/3C	0.385-0.430	15A	370V 35MFD±5%
EP50M2-20	1/2	60	230/1	3450	6.0	J	SOW	16AWG/3C	0.385-0.430	10A	370V 35MFD±5%
EP50M3-20	1/2	60	230/3	3450	3.2	J	SOW	16AWG/4C	0.410-0.460	5A	N/A
EP50M4-20	1/2	60	460/3	3450	1.6	J	SOW	16AWG/4C	0.410-0.460	3A	N/A
EP50M5-20	1/2	60	208/1	3450	6.5	J	SOW	16AWG/3C	0.385-0.430	10A	450V 35MFD±5%
EP50M6-20	1/2	60	208/3	3450	3.5	J	SOW	16AWG/4C	0.410-0.460	5A	N/A
EP50M9-20	1/2	60	575/3	3450	1.2	J	SOW	16AWG/4C	0.410-0.460	3A	N/A
EP75M1-20	3/4	60	115/1	3450	13.0	H	SOW	16AWG/3C	0.385-0.430	15A	450V 35MFD±5%
EP75M2-20	3/4	60	230/1	3450	6.5	H	SOW	16AWG/3C	0.385-0.430	10A	450V 35MFD±5%
EP75M3-20	3/4	60	230/3	3450	4.7	H	SOW	16AWG/4C	0.410-0.460	5A	N/A
EP75M4-20	3/4	60	460/3	3450	2.3	H	SOW	16AWG/4C	0.410-0.460	3A	N/A
EP75M5-20	3/4	60	208/1	3450	8.2	H	SOW	16AWG/3C	0.385-0.430	10A	450V 35MFD±5%
EP75M6-20	3/4	60	208/3	3450	5.0	H	SOW	16AWG/4C	0.410-0.460	5A	N/A
EP75M9-20	3/4	60	575/3	3450	1.8	H	SOW	16AWG/4C	0.410-0.460	3A	N/A
EP100M2-20	1	60	230/1	3450	11.8	H	SOW	16AWG/3C	0.385-0.430	15A	450V 35MFD±5%
EP100M3-20	1	60	230/3	3450	6.0	H	SOW	16AWG/4C	0.410-0.460	10A	N/A
EP100M4-20	1	60	460/3	3450	3.0	H	SOW	16AWG/4C	0.410-0.460	5A	N/A
EP100M5-20	1	60	208/1	3450	12.0	H	SOW	16AWG/3C	0.385-0.430	15A	450V 35MFD±5%
EP100M6-20	1	60	208/3	3450	6.2	H	SOW	16AWG/4C	0.410-0.460	10A	N/A
EP100M9-20	1	60	575/3	3450	2.2	H	SOW	16AWG/4C	0.410-0.460	3A	N/A
EP150M2-20	1-1/2	60	230/1	3450	15.0	G	SOW	14AWG/3C	0.520-0.575	20A	450V 35MFD±5%
EP150M3-20	1-1/2	60	230/3	3450	7.4	G	SOW	16AWG/4C	0.410-0.460	10A	N/A
EP150M4-20	1-1/2	60	460/3	3450	3.7	G	SOW	16AWG/4C	0.410-0.460	5A	N/A
EP150M5-20	1-1/2	60	208/1	3450	15.2	G	SOW	14AWG/3C	0.520-0.575	20A	450V 35MFD±5%
EP150M6-20	1-1/2	60	208/3	3450	7.8	G	SOW	16AWG/4C	0.410-0.460	10A	N/A
EP150M9-20	1-1/2	60	575/3	3450	2.7	G	SOW	16AWG/4C	0.410-0.460	5A	N/A

EP50, EP75, EP100, EP150 COURBE DE LA PERFORMANCE



EP50 DIAGRAMME DE LA PERFORMANCE

Levage total(pieds)	0	10	20	30	40	50	50
GPM	-	-	92	72	50	2	0

EP75 DIAGRAMME DE LA PERFORMANCE

Levage total(pieds)	0	10	20	30	40	50	60
GPM	-	-	-	96	77	50	0

EP100 DIAGRAMME DE LA PERFORMANCE

Levage total(pieds)	0	30	40	50	60	70	78
GPM	-	118	100	80	55	23	0

EP150 DIAGRAMME DE LA PERFORMANCE

Levage total(pieds)	0	40	50	60	70	80	90
GPM	-	127	110	91	70	40	0



Pompes pour effluent

Modèles: EP50, EP75, EP100, EP150

Réception et Installation

Inspection de Réception

Dès la réception de la pompe, il doit être inspecté pour les dommages directs ou les shortages. En cas de dommage, déposez immédiatement une réclamation auprès de l'entrepreneur qui a livré la pompe. Si le manuel est retiré de l'emballage, ne perdez pas ni égarez.

Stockage

Tout produit qui est stocké pour une période plus de six (6) mois à compter de la date d'achat doit être testé au banc avant l'installation. Un banc d'essai se compose de, la vérification de la roue pour assurer qu'il est tournant gratuit et un test de fonctionnement pour assurer que le moteur (et bascule si elle est fournie) fonctionne correctement. Ne pompez pas de liquide.

⚠ ADVERTISSEMENT

IMPORTANT! Un dégagement sous la pompe pour l'entrée des solides des eaux usées doit être un minimum de 2 pouces à un maximum de 3.5 pouces.

Submersion

La pompe doit toujours être utilisée dans les conditions submergées. Le niveau de liquide de cuve minimale ne devrait jamais être inférieur au-dessus de la volute de la pompe (voir figure 1)

Installation

Le puisard ou le bassin doivent être scellés et évacués conformément aux codes de plomberie locaux. Cette pompe est conçue pour pomper les eaux usées domestiques, les liquides non-explosifs et and non-corrosifs et ne doivent pas être installés dans des endroits classés comme dangereux en conformité avec le Code Electrique National (CEN) ANSI/ NFPA 70 ou Code Canadien de l'Électricité(CCE).

Cette pompe devrait ne jamais être installée dans une tranchée, ou un trou avec un fond de terre. Les jambes vont sombrer dans la saleté et l'aspiration sera bouchée.



FIGURE 1

Tuyauterie de décharge

Installez la tuyauterie de décharge ou l'assemblée du tuyau à la pompe. La tuyauterie de décharge doit être le plus courte possible et dimensionnée ne plus petit que le décharge de la pompe. Ne réduisez pas la taille du tuyau de décharge inférieure à celui qui est prévu sur la pompe. Les deux, un clapet d'anti-retour et une vanne d'arrêt sont recommandés pour chaque pompe. Le clapet d'anti-retour est utilisé pour empêcher le reflux dans le puisard. La vanne d'arrêt est utilisée pour arrêter manuellement le débit du système lors du service de la pompe. Soyez sûr que le tuyau de décharge a un trou de 1/8 " de diamètre environ. 5 " de la volute la plus proche de l'extrémité et l'orientée vers le corps de pompe.

Panneau de Contrôle

Les broyeurs de la série monophasés NE nécessitent PAS un panneau de contrôle, mais exigent un contrôle de niveau avec une fiche de ferroutage.

Moteur: Chaque moteur est fourni de thermostats de capteur de chaleur fixés directement aux enroulements du moteur. Les thermostats ouvrent si les enroulements du moteur voient la chaleur excessive et, à son tour, ouvrent le contacteur du moteur dans le panneau de contrôle lorsqu'il est utilisé, en brisant le pouvoir à la pompe. Lorsque le moteur est arrêté en raison d'un état de surchauffe, il ne démarre pas jusqu'à ce que le moteur a refroidi.

Pré-opération

VERIFIER LE VOLTAGE ET LA PHASE

Avant de fonctionner la pompe, assurez-vous que le voltage et l'information de la phase estampillée sur la plaque d'identification de la pompe correspond à la puissance disponible.

CHECK LA ROTATION DE LA POMPE

Avant de mettre la pompe en service pour la première fois, la rotation du moteur doit être vérifiée. Une mauvaise rotation du moteur peut entraîner des performances de la pompe pauvres et peut endommager le moteur et / ou la pompe.

PLAQUE D'IDENTIFICATION

Notez les numéros sur la plaque d'identification des pompes et inscrivez à la fin de ce manuel pour la référence future.

Connexions Electriques



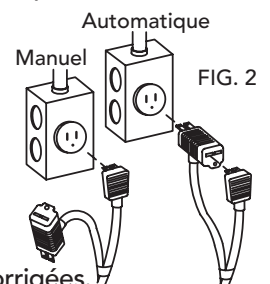
Atteignez le disjoncteur avant de brancher ou de débrancher le commutateur et / ou de la pompe.

Comptez sur toujours un électricien certifié pour l'installation.

Bouchon Piggy-Back le

bouchon de contrôle de niveau dans un récipient à 115V, puis branchez la pompe dans l'piggy-back bouchon (voir la figure 2). Il est recommandé que ce circuit ont un disjoncteur de 15 ampères.

Un cycle de fonctionnement devraient être observées, de sorte que les problèmes éventuels peuvent être corrigées.





Pompes pour effluent

Modèles: EP50, EP75, EP100, EP150

Réception et Installation

Il est recommandé que le flotteur de contrôle de niveau doit être réglé de sorte que le liquide dans le puisard ne descend jamais au-dessous de la partie supérieure du carter du moteur. Le contrôle du niveau doit avoir un dégagement suffisant pour qu'il ne puisse raccrocher dans sa balançoire et que la pompe soit complètement immergée lorsque le contrôle de niveau est en mode "Eteint". La longueur de la sangle minimale est de 3,50".

En ajustant l'attache du cordon le niveau de contrôle peut être changé. **N'UTILISEZ PAS LA PUISSANCE NI LE CONTROLE POUR LEVER LA POMPE.**

Essai de pomper vers le bas- assurez-vous que la pompe a été branchée, abaissée dans le bassin ou le puisard, vérifiez le système en remplissant de liquide et laissant la pompe fonctionner sur tout son cycle de pompage. Le temps nécessaire pour vider le système, ou le temps de pomper vers le bas avec la volute ou l'eau, devraient être enregistrés.

Protection Thermique

Le normalement fermé (N / F) sur le capteur de température est noyé dans les enroulements du moteur et permet de détecter une chaleur excessive dans le cas où une condition de surcharge se produit. Le capteur thermique se déclenche lorsque les enroulements deviennent trop chaud et se réinitialise automatiquement lorsque le moteur de la pompe se refroidit à une température sécuritaire.

Dans le cas d'une température de plus, la source de cette condition doit être déterminée et réparée immédiatement. La protection thermique ne doit pas être utilisée comme un dispositif de surcharge du moteur.

Entretien

L'entretien minimal est nécessaire. Effectuez les contrôles suivants lorsque la pompe est retirée du fonctionnement ou lorsque les performances de la pompe se détériorent:

- Inspectez les chambres à moteur pour le niveau d'huile et la contamination.
- Inspectez l'impelleur et le corps pour une accumulation excessive ou l'obstruction
- Inspectez le moteur et les paliers.
- Inspectez le joint pour l'usure ou la fuite.

Service

Huile de refroidissement - Chaque fois que la pompe est retirée du fonctionnement, l'huile de refroidissement dans le carter du moteur doit être vérifié visuellement le niveau d'huile et la contamination. Pour vérifier l'huile, l'appareil réglé en position verticale. Retirez le bouchon du tuyau du boîtier. Avec une lampe de poche, inspectez visuellement l'huile dans le carter pour vous assurer qu'il est propre et claire, ambre pâle et exempte de particules en suspension. L'huile blanche laiteuse indique la présence d'eau. Le niveau d'huile doit être juste au-dessus du moteur lorsque la pompe est en position verticale.

Essai à l'huile

- Vidangez l'huile dans un récipient propre et sec, en plaçant la pompe sur son côté. Retirez le bouchon du tuyau (15), du logement.
- Vérifiez l'huile de contamination à l'aide d'un testeur d'huile avec une gamme vers le bas de 30 kilovoltages.
- Si l'huile se trouve à être propre et non contaminé (mesurant plus de 15 KV. Vers le bas), remplissez le boîtier.

- Si l'huile se trouve à être sale ou contaminé (ou les mesures inférieures à 15 KV. vers le bas), la pompe doit être soigneusement inspectée pour les fuites au niveau du joint d'arbre, l'assemblage des câbles, l'anneau d'O et la prise de tuyau, avant de le remplir avec de l'huile. Pour localiser la fuite, effectuez les tests de pression suivantes.

Après que la fuite est réparée, éliminez l'huile usagée, et remplissez d'huile neuve.



La pression monte extrêmement rapide, augmenter la pression par la buse d'air de "TOPOTEMENT". Trop de pression va endommager le joint. **NE dépassez PAS 10 P.S.I.**

Test de Pression du Boîtier du Moteur:

Si l'huile a été vidangé, remplissez jusqu'au niveau normal avant d'effectuer l'essai de pression. Retirez la fiche de tuyau du boîtier du moteur.

Appliquez le produit d'étanchéité pour faire pression sur l'assemblage de la jauge et serrez dans le trou. Ressurissez le carter du moteur supérieure à 10 P.S.I. Utilisez de l'eau savonneuse autour de la zone scellée au-dessus du niveau d'huile et inspectez pour les "bulles d'air". Pour les zones scellées sous le niveau de l'huile, les fuites vont infiltrer l'huile. Si, au bout de cinq minutes, la pression tient toujours constant, et pas de "bulles"/ infiltration huile est observée, saignez lentement la pression et retirez l'assemblée de la jauge. Remplacez l'huile. La fuite doit être localisée et réparée si la pression ne tient pas.

Boîtier du Moteur de Remplacement d'Huile

Retirez la fiche de tuyau du Boîtier du Moteur. Vidangez toute l'huile (s'il n'est pas déjà fait) du carter de moteur et éliminez correctement par le Code Local. Mettez la pompe verticale et remplissez d'huile neuve de refroidissement, voyez le graphique " l'huile de refroidissement ". Remplissez à juste au-dessus du moteur (2.1L) comme un espace d'air doit rester dans la partie supérieure de la carcasse du moteur pour compenser la dilatation de l'huile. Appliquez une pâte à joint sur le filetage de bouchon puis les assemblez au boîtier du moteur. Vérifiez que l'anneau d'O est en place et n'a pas besoin d'être remplacé. Remontez le bouchon du cordon au boîtier du moteur.



NE remplissez PAS trop d'huile. Un remplissage excessif du boîtier avec de l'huile peut créer une pression hydraulique excessive et dangereuse qui peut détruire la pompe et créer un risque. L' Huile remplis sage excessif annule la garantie.

Le Refroidissement du Fournisseur/Qualité Recommandé de Pétrole	
BP	Enerpar SE100
Conoco	Pale Paraffin 22
Mobile	D.T.E. Oil Light
Shell Canada	Transformer-10
Texaco	Diala-Oil-AX



AVERTISSEMENT Avant tout travail de service est fait, déconnectez et verrouillez l'alimentation électrique à la pompe.



Pompes pour effluent Modèles: EP50, EP75, EP100, EP150 Installation et Service



ATTENTION Les bords du coupeur sont très coupantes. Le coupeur doit être enlevé avant de retirer la volute.

Volute - Retirez le boulon à tête hexagonale de la volute.

Impelleur - Retirez l'impelleur en tournant dans le sens antihoraire tout en maintenant l'arbre du moteur stationnaire avec un tournevis. Ne stockez pas la pompe sans impelleur en place.

Joint Extérieur - Manipulez les pièces d'étanchéité avec soin. Retirez le ressort et la partie tournante du joint de l'arbre. Examinez toutes les parties d'étanchéité. Inspectez les faces de contact pour les signes de pistes d'usure inégale sur le visage stationnaire, les croustilles et les rayures sur chaque face d'étanchéité. N'échangez pas les composants d'étanchéité, remplacez le joint d'arbre entier si c'est nécessaire.

Plaque d'Etanchéité - Retirez les vis d'assemblage de la plaque d'étanchéité. Retirez la plaque d'étanchéité (11) et l'anneau d'o.

Paliers - Utilisant un extracteur de palier ou une tonnelle presse retire le palier(50) de l'arbre. Retirez le palier supérieur du moteur(51) de l'arbre avec un extracteur de palier.



IMPORTANT!- Toutes les parts doivent être propres avant le remontage. Manipulez les parts d'étanchéité avec un soin extrême. N'endommagez PAS les surfaces rodées.

REMONTAGE

Palier - Veillez à ne pas endommager l'arbre du rotor lors du remplacement de roulement. Utilisant une presse à mandriner, maintenez le rotor et appuyez sur le palier supérieur sur l'arbre du rotor, appliquant une force sur la bague intérieure du roulement seulement. De la même manière remplacez le palier inférieur (49) sur l'arbre de rotor.

Boîtier d'Etanchéité- Graissez et mettez l'anneau d'O dans la rainure de la plaque d'étanchéité. Placez la plaque d'étanchéité sur l'arbre et sur le boîtier d'étanchéité (16), en étant sûr que l'anneau d'O ne soit pas tordu et dans la gorge. Placez les quatre vis à travers des trous dans le boîtier d'étanchéité et dans la plaque d'étanchéité et le torque à 6,5 ft / lbs.

Joint Extérieur - Nettoyez et huilez la cavité de joint stationnaire dans une plaque d'étanchéité. Faites glisser l'outil de guide du joint sur l'arbre du moteur. Huilez légèrement (N'utilisez pas de graisse) la surface extérieure de l'élément fixe du joint

Appuyez sur la papeterie fermement dans la plaque d'étanchéité à l'aide d'un outil de poussoir du joint. Assurez-vous que l'élément fixe est en droite. Rien mais l'outil d'étanchéité est d'entrer en contact avec la face d'étanchéité.



IMPORTANT ! Ne frappez pas sur le poussoir d'étanchéité. Cela pourrait endommager la face du joint.

Avec la surface rodée de l'élément rotatif faisant face vers l'intérieur vers fixe, glissez l'élément rotatif sur l'arbre, jusqu'à ce que les faces rodées de joint stationnaire et la rotation sont ensemble.

Impelleur - Placez l'impelleur sur l'arbre du moteur en tournant dans le sens horaire. Le Composé de blocage de fil bleu est recommandé.

Volute - Placez la volute sur la plaque d'étanchéité. Placez l'écrou hexagonal à travers la volute et dans la plaque d'étanchéité et puis le torque uniformément à 11 ft/lbs.



Pompes pour effluent Modèles: EP50, EP75, EP100, EP150 Installation

Installation de la pompe en bassin

Installer la pompe en bassin aéré correctement conformément aux codes et règlements locaux. Tuyau en PVC avec clapet antiretour de plastique et vanne d'arrêt sont recommandés. Percer un trou de 1/8" dans le tuyau de décharge en dessous du clapet antiretour. Monter le clapet 12" au-dessus de la conduite de refoulement de la pompe. Voir Figure 3

Commencer la pompe après l'installation dans le Bassin de Puisard:

Avant d'abaisser la pompe dans le bassin, connectez les lignes d'alimentation et démarrez le moteur. L'impelleur doit tourner dans le sens antihoraire quand on regarde l'impelleur.

Service et Réparation

Important: La pompe doit être soigneusement nettoyé des ordures et les dépôts avant de commencer les opérations de démontage (pages 27-29).

⚠ ADVERTISSEMENT

Débranchez tous les câbles électriques et les fils de contrôle au moteur sur le panneau

⚠ ATTENTION

La pompe d'exploitation accumule la chaleur et la pression; laissez le temps à la pompe pour refroidir à la température ambiante.

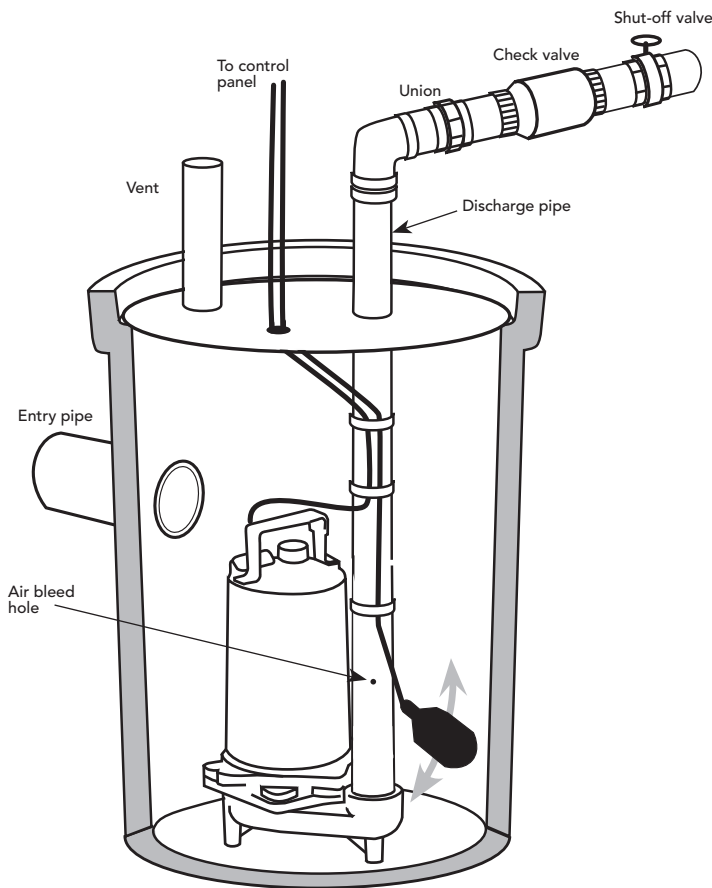


FIGURE 3



Pompes pour effluent

Modèles: EP50, EP75, EP100, EP150

Dépannage

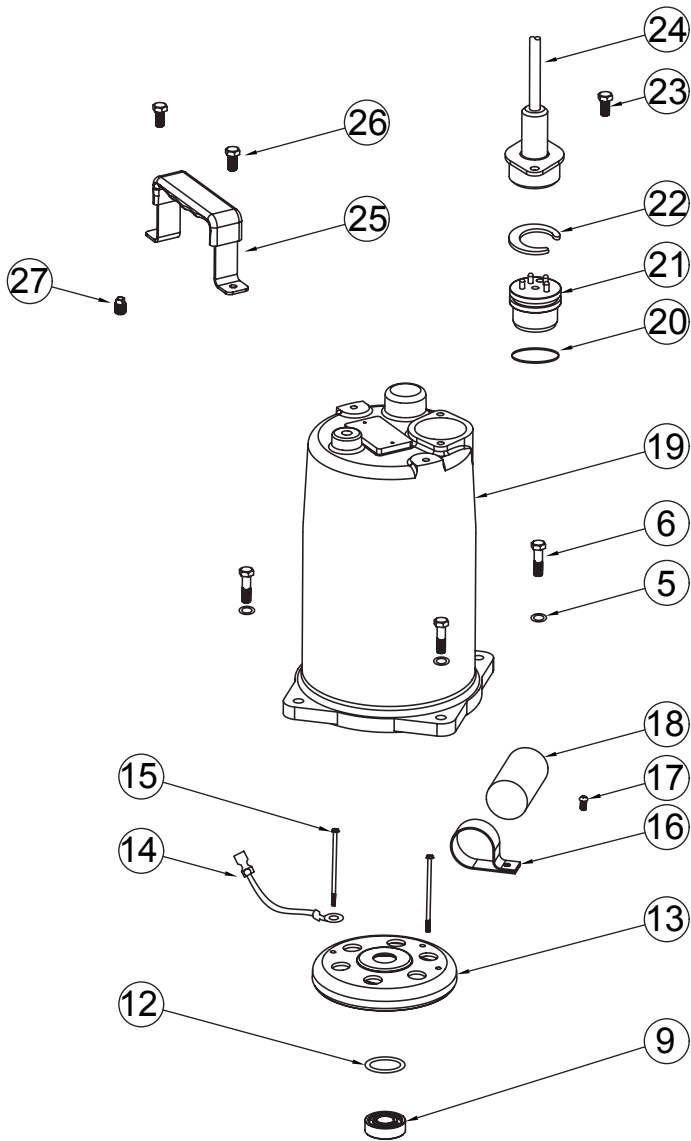
PROBLEMES	CAUSES/SOLUTIONS POSSIBLES
LA POMPE NE FONCTIONNE PAS ET FAIT LE BOURDONNEMENT	<ul style="list-style-type: none"> Le disjoncteur de ligne est désactivé, ou le fusible est grillé ou en vrac. Le niveau d'eau dans le puisard n'est pas arrivé le niveau allumé comme indiqué dans le plan d'installation. Le cordon de la pompe ne fait pas contacter dans le réceptacle. Le flotteur est coincé. Il devrait marcher librement dans le bassin Si tout ce qui précède est OK, alors le moteur pourrait être défectueux.
LA POMPE MARCHE MAIS NE FOURNIT PAS D'EAU	<ul style="list-style-type: none"> Vérifiez si la vanne est installée à l'envers. La flèche sur la vanne doit pointer le sens de l'écoulement Déchargez la vanne éteint (si elle est utilisée) peut être fermée. L'impelleur ou les ouvertures de la volute sont totalement ou partiellement obstrués. Retirez la pompe et la nettoyez. La pompe est verrouillée à air. Démarrez et arrêtez à plusieurs reprises en branchant et en débranchant le cordon. Vérifiez l'évent bouché dans la boîte de la pompe. Les trous d'entrée dans la base de la pompe sont bouchés. Retirez la pompe et nettoyez les ouvertures. La distance de pompage vertical est trop élevé. Réduisez la distance ou modifiez les raccords de décharge de la pompe.
LA POMPE MARCHE ET POMPE DU PUISARD, MAIS N'ARRÊTE PAS.	<ul style="list-style-type: none"> Le flotteur est coincé en position vers le haut. Assurez-vous que le flotteur marche librement dans le bassin. L'interrupteur du flotteur défectueux. Remplacez l'interrupteur du flotteur
LA POMPE MARCHE MAIS SEULEMENT FOURNIT UNE PETITE QUANTITÉ D'EAU	<ul style="list-style-type: none"> La pompe est verrouillée à air. Démarrez et arrêtez à plusieurs reprises en branchant et en débranchant le cordon. La distance de pompage vertical est trop élevé. Réduisez la distance ou modifiez les raccords de décharge de la pompe. Les trous d'entrée dans la base de la pompe sont bouchés. Retirez la pompe et nettoyez la passoire et les ouvertures L'impelleur ou les ouvertures de la volute sont totalement ou partiellement obstrués. Retirez la pompe et la nettoyez. L'impelleur de la pompe est partiellement bouché provoquant moteur à fonctionner lentement et surcharger. Retirez la pompe et la nettoyez.
LE FUSIBLE SAUTE OU LE DISJONCTEUR SE DÉCLENCHE LORSQUE LA POMPE COMMENCE	<ul style="list-style-type: none"> L'impelleur de la pompe est partiellement bouché provoquant moteur à fonctionner lentement et surcharger. Retirez la pompe et la nettoyez. Le stator du moteur peut être défectueux. La taille du fusible ou le disjoncteur peut être trop petit. (doit être 15 ampères). L'impelleur ou les ouvertures de la volute sont totalement ou partiellement obstrués. Retirez la pompe et la nettoyez.
LE MOTEUR MARCHE POUR UN TEMPS COURT, ET PUIS, ARRÊTE.	<ul style="list-style-type: none"> Les trous d'entrée dans la base de la pompe sont bouchés. Retirez la pompe et nettoyez les ouvertures. L'impelleur de la pompe est partiellement bouché provoquant moteur à fonctionner lentement et surcharger. Retirez la pompe et la nettoyez. Le stator du moteur peut être défectueux. L'impelleur ou les ouvertures de la volute sont totalement ou partiellement obstrués. Retirez la pompe et la nettoyez. Nettoyez aussi le passoire si une est installée.

PRECAUTIONS ELECTRIQUES

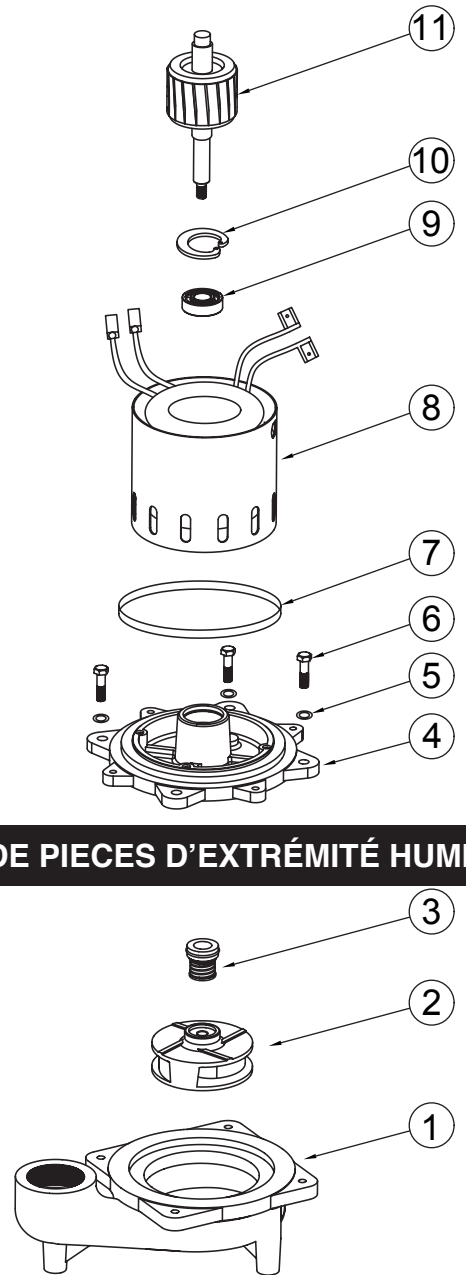


Avant de réparer une pompe, coupez toujours le disjoncteur d'alimentation principale, et puis débranchez la pompe. Assurez-vous que vous n'êtes pas debout dans l'eau et portez des chaussures à semelle de protection isolés, dans des conditions inondées. Contactez votre compagnie d'électricité locale ou un électricien agréé qualifié pour déconnecter service.

GRUPE DE PIECES DE MOTEUR



GRUPE DE PIECES D'EXTRÉMITÉ HUMIDE





Pompes pour effluent

Modèles: EP50, EP75

Pièces

NO.	DESCRIPTION	Numéro de pièce												
		EP50M1-20	EP50M2-20	EP50M3-20	EP50M4-20	EP50M5-20	EP50M6-20	EP75M1-20	EP75M2-20	EP75M3-20	EP75M4-20	EP75M5-20	EP75M6-20	
		115V/1PH	230V/1PH	230V/3PH	460V/3PH	208V/1PH	208V/3PH	115V/1PH	230V/1PH	230V/3PH	460V/3PH	208V/1PH	208V/3PH	
	GROUPE DE PIÈCES D'EXTREMITÉ HUMIDE	091EP5002A	091EP5002A	091EP5002A	091EP5002	091EP5002A	091EP5002A	091EP7502A	091EP7502A	091EP7502A	091EP7502A	091EP7502A	091EP7502A	
1	VOLUTE	091EP5001	091EP5001	091EP5001	091EP5001	091EP5001	091EP5001	091EP5001	091EP5001	091EP5001	091EP5001	091EP5001	091EP5001	1
2	IMPELLEUR	091EP5002	091EP5002	091EP5002	091EP5002	091EP5002	091EP5002	091EP7502	091EP7502	091EP7502	091EP7502	091EP7502	091EP7502	1
3	JOINT D'ARBRE	091EP5003	091EP5003	091EP5003	091EP5003	091EP5003	091EP5003	091EP5003	091EP5003	091EP5003	091EP5003	091EP5003	091EP5003	1
	GROUPE DE PIÈCES DE MOTEUR	091EP5008A	091EP5009A	091EP5039A	091EP5049A	091EP5009A	091EP5039A	091SWH519A	091EP7509A	091SWH539A	091SWH549A	091EP7509A	091SWH539A	
4	PLAQUE D'ETANCHEITE	091EP5004	091EP5004	091EP5004	091EP5004	091EP5004	091EP5004	091EP5004	091EP5004	091EP5004	091EP5004	091EP5004	091EP5004	1
5	RONDELLE	091EP5005	091EP5005	091EP5005	091EP5005	091EP5005	091EP5005	091EP5005	091EP5005	091EP5005	091EP5005	091EP5005	091EP5005	8
6	VIS	091EP5006	091EP5006	091EP5006	091EP5006	091EP5006	091EP5006	091EP5006	091EP5006	091EP5006	091EP5006	091EP5006	091EP5006	8
7	ANNEAU D'O	091EP5007	091EP5007	091EP5007	091EP5007	091EP5007	091EP5007	091EP5007	091EP5007	091EP5007	091EP5007	091EP5007	091EP5007	1
8	ASSEMBLEE DU STATOR	091EP5008	091EP5009	091EP5039	091EP5049	091EP5009	091EP5039	091SWH519	091EP7509	091SWH539	091SWH549	091EP7509	091SWH539	1
9	RODAMIENTO	091EP5010	091EP5010	091EP5010	091EP5010	091EP5010	091EP5010	091EP5010	091EP5010	091EP5010	091EP5010	091EP5010	091EP5010	2
10	ANNEAU D'C	091EP5011	091EP5011	091EP5011	091EP5011	091EP5011	091EP5011	091EP5011	091EP5011	091EP5011	091EP5011	091EP5011	091EP5011	1
11	ASSEMBLEE DU STATOR	091EP5012	091EP5012	091EP5012	091EP5012	091EP5012	091EP5012	091EP7512	091EP7512	091EP7512	091EP7512	091EP7512	091EP7512	1
12	RONDELLE DE RESSORT	091EP5013	091EP5013	091EP5013	091EP5013	091EP5013	091EP5013	091EP5013	091EP5013	091EP5013	091EP5013	091EP5013	091EP5013	1
13	CAPOT SUPERIEUR	091EP5014	091EP5014	091EP5014	091EP5014	091EP5014	091EP5014	091EP5014	091EP5014	091EP5014	091EP5014	091EP5014	091EP5014	1
14	LIGNE DE TERRE	091EP5015	091EP5015	091EP5315	091EP5315	091EP5015	091EP5315	091EP5015	091EP5015	091EP5315	091EP5315	091EP5015	091EP5315	1
15	VIS	091EP5016	091EP5016	091EP5016	091EP5016	091EP5016	091EP5016	091EP5016	091EP5016	091EP5016	091EP5016	091EP5016	091EP5016	4
16	LE COLLIER	091EP5017	091EP5017	NONE	NONE	091EP5017	NONE	091EP5017	091EP5017	NONE	NONE	091EP5017	NONE	1
17	VIS	091EP5018	091EP5018	NONE	NONE	091EP5018	NONE	091EP5018	091EP5018	NONE	NONE	091EP5018	NONE	1
18	CONDENSATEUR	091EP5019	091EP5019	NONE	NONE	091EP5019	NONE	091EP5019	091EP5019	NONE	NONE	091EP5019	NONE	1
19	HOUSING	091EP5020	091EP5020	091EP5020	091EP5020	091EP5020	091EP5020	091EP5020	091EP5020	091EP5020	091EP5020	091EP5020	091EP5020	1
20	ANNEAU D'O	091EP5021	091EP5021	091EP5021	091EP5021	091EP5021	091EP5021	091EP5021	091EP5021	091EP5021	091EP5021	091EP5021	091EP5021	1
21	ADAPTATEUR	091EP5022	091EP5022	091EP5322	091EP5322	091EP5022	091EP5322	091EP5022	091EP5022	091EP5322	091EP5322	091EP5022	091EP5322	1
22	BAGUE DE RETENUE	091EP5023	091EP5023	091EP5023	091EP5023	091EP5023	091EP5023	091EP5023	091EP5023	091EP5023	091EP5023	091EP5023	091EP5023	1
23	VIS	091EP5024	091EP5024	091EP5024	091EP5024	091EP5024	091EP5024	091EP5024	091EP5024	091EP5024	091EP5024	091EP5024	091EP5024	2
24	CORDON D'ALIMENTATION	091EP5025	091EP5026	091EP5326	091EP5326	091EP5026	091EP5326	091EP5025	091EP5026	091EP5326	091EP5326	091EP5026	091EP5326	1
25	POIGNEE	091EP5027	091EP5027	091EP5027	091EP5027	091EP5027	091EP5027	091EP5027	091EP5027	091EP5027	091EP5027	091EP5027	091EP5027	1
26	VIS	091EP5028	091EP5028	091EP5028	091EP5028	091EP5028	091EP5028	091EP5028	091EP5028	091EP5028	091EP5028	091EP5028	091EP5028	2
27	LÉCROU	091EP5029	091EP5029	091EP5029	091EP5029	091EP5029	091EP5029	091EP5029	091EP5029	091EP5029	091EP5029	091EP5029	091EP5029	1



Pompes pour effluent

Modèles: EP100, EP150

Pièces

NO.	DESCRIPTION	Numéro de pièce										QTY
		EP100M2-20	EP100M3-20	EP100M4-20	EP100M5-20	EP100M6-20	EP150M2-20	EP150M3-20	EP150M4-20	EP150M5-20	EP150M6-20	
		230V/1PH	230V/3PH	460V/3PH	208V/1PH	208V/3PH	230V/1PH	230V/3PH	460V/3PH	208V/1PH	208V/3PH	
	GROUPE DE PIÈCES D'EXTREMITÉ HUMIDE	091EP1002A	091EP1002A	091EP1002A	091EP1002A	091EP1002A	091EP1502A	091EP1502A	091EP1502A	091EP1502A	091EP1502A	
1	VOLUTE	091EP1001	091EP1001	091EP1001	091EP1001	091EP1001	091EP1001	091EP1001	091EP1001	091EP1001	091EP1001	1
2	IMPELLEUR	091EP1002	091EP1002	091EP1002	091EP1002	091EP1002	091EP1502	091EP1502	091EP1502	091EP1502	091EP1502	1
3	JOINT D'ARBRE	091EP5003	091EP5003	091EP5003	091EP5003	091EP5003	091EP5003	091EP5003	091EP5003	091EP5003	091EP5003	1
	GROUPE DE PIÈCES DE MOTEUR	091EP1009A	091EP1039A	091EP1049A	091EP1009A	091EP1039A	091EP1509A	091EP1539A	091EP1549A	091EP1529A	091EP1539A	
4	PLAQUE D'ETANCHÉITE	091EP5004	091EP5004	091EP5004	091EP5004	091EP5004	091EP5004	091EP5004	091EP5004	091EP5004	091EP5004	1
5	RONDELLE	091EP5005	091EP5005	091EP5005	091EP5005	091EP5005	091EP5005	091EP5005	091EP5005	091EP5005	091EP5005	8
6	VIS	091EP5006	091EP5006	091EP5006	091EP5006	091EP5006	091EP5006	091EP5006	091EP5006	091EP5006	091EP5006	8
7	ANNEAU D'O	091EP5007	091EP5007	091EP5007	091EP5007	091EP5007	091EP5007	091EP5007	091EP5007	091EP5007	091EP5007	1
8	ASSEMBLEE DU STATOR	091EP1009	091EP1039	091EP1049	091EP1009	091EP1039	091EP1509	091EP1539	091EP1549	091EP1529	091EP1539	1
9	RODAMIENTO	091EP5010	091EP5010	091EP5010	091EP5010	091EP5010	091EP5010	091EP5010	091EP5010	091EP5010	091EP5010	2
10	ANNEAU D'C	091EP5011	091EP5011	091EP5011	091EP5011	091EP5011	091EP5011	091EP5011	091EP5011	091EP5011	091EP5011	1
11	ASSEMBLEE DU STATOR	091EP1012	091EP1012	091EP1012	091EP1012	091EP1012	091EP1512	091EP1512	091EP1512	091EP1512	091EP1512	1
12	RONDELLE DE RESSORT	091EP5013	091EP5013	091EP5013	091EP5013	091EP5013	091EP5013	091EP5013	091EP5013	091EP5013	091EP5013	1
13	CAPOT SUPÉRIEUR	091EP5014	091EP5014	091EP5014	091EP5014	091EP5014	091EP5014	091EP5014	091EP5014	091EP5014	091EP5014	1
14	LIGNE DE TERRE	091EP5015	091EP5315	091EP5315	091EP5015	091EP5315	091EP5015	091EP5315	091EP5315	091EP5015	091EP5315	1
15	SCREW	091EP1016	091EP1016	091EP1016	091EP1016	091EP1016	091EP1016	091EP1016	091EP1016	091EP1016	091EP1016	4
16	LE COLLIER	091EP5017	NONE	NONE	091EP5017	NONE	091EP5017	NONE	NONE	091EP5017	NONE	1
17	VIS	091EP5018	NONE	NONE	091EP5018	NONE	091EP5018	NONE	NONE	091EP5018	NONE	1
18	CONDENSATEUR	091EP5019	NONE	NONE	091EP5019	NONE	091EP5019	NONE	NONE	091EP5019	NONE	1
19	HOUSING	091EP5020	091EP5020	091EP5020	091EP5020	091EP5020	091EP5020	091EP5020	091EP5020	091EP5020	091EP5020	1
20	ANNEAU D'O	091EP5021	091EP5021	091EP5021	091EP5021	091EP5021	091EP5021	091EP5021	091EP5021	091EP5021	091EP5021	1
21	ADAPTATEUR	091EP5022	091EP5322	091EP5322	091EP5022	091EP5322	091EP5022	091EP5322	091EP5322	091EP5022	091EP5322	1
22	BAGUE DE RETENUE	091EP5023	091EP5023	091EP5023	091EP5023	091EP5023	091EP5023	091EP5023	091EP5023	091EP5023	091EP5023	1
23	VIS	091EP5024	091EP5024	091EP5024	091EP5024	091EP5024	091EP5024	091EP5024	091EP5024	091EP5024	091EP5024	2
24	CORDON D'ALIMENTATION	091EP5026	091EP5326	091EP5326	091EP5026	091EP5326	091EP1526	091EP5326	091EP5326	091EP1526	091EP5326	1
25	POIGNEE	091EP5027	091EP5027	091EP5027	091EP5027	091EP5027	091EP5027	091EP5027	091EP5027	091EP5027	091EP5027	1
26	VIS	091EP5028	091EP5028	091EP5028	091EP5028	091EP5028	091EP5028	091EP5028	091EP5028	091EP5028	091EP5028	2
27	LÉCROU	091EP5029	091EP5029	091EP5029	091EP5029	091EP5029	091EP5029	091EP5029	091EP5029	091EP5029	091EP5029	1



P U M P

Honest, Professional, Dependable

1899 Cottage Street, Ashland, Ohio 44805
Telephone: 855 281-6830 • Fax: 877 326-1994
ashlandpump.com