

# SEWAGE PUMPS

## Model: SWFD100



### Features

- Heavy duty cast iron construction
- Oil-filled continuous duty PSC motor (1Ph) and Induction motor (3Ph)
- Semi-open cast iron impeller
- 2" solids handling

### Specifications

#### Physical Data:

DISCHARGE SIZE	2" Flanged with 2" and 3" NPT Adapter
IMPELLER TYPE	2-Vane Semi-open - Cast Iron
CABLE LENGTH	20'

#### Liquid Handling:

SOLIDS SIZE	2"
MAXIMUM LIQUID TEMP.	104°F – Intermittent
ACCEPTABLE PH RANGE	6-8

#### Technical Data:

MOTOR HOUSING	Cast Iron
CASING	Cast Iron
IMPELLER	Cast Iron
MOTOR SHAFT	SS430
HARDWARE	SST
"O" RINGS	NBR
SEALS	Single Mechanical, Carbon Ceramic
UPPER BEARING	6203
LOWER BEARING	6203

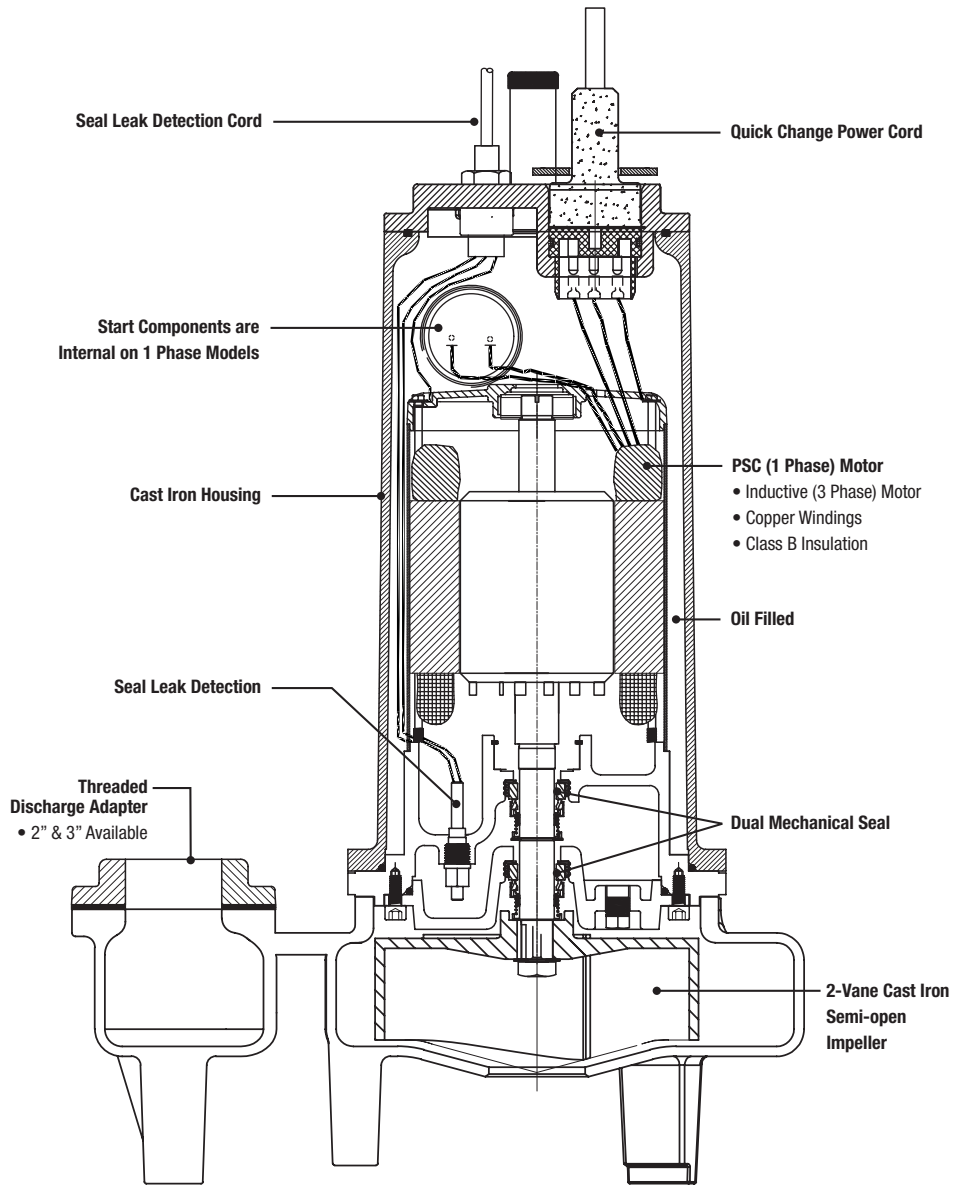
#### Electrical Data:

R.P.M.	3450
MOTOR TYPE	PSC/Induction
GEN INSULATION CLASS	B
STATOR WINDING CLASS	B
MAXIMUM STATOR TEMP	130°C
VOLTAGE TOLERANCE	±10%
MOTOR PROTECTION	Thermally Protected
HP	1
VOLTAGE	208/230/460
PHASE	1/3
SERVICE FACTOR	1

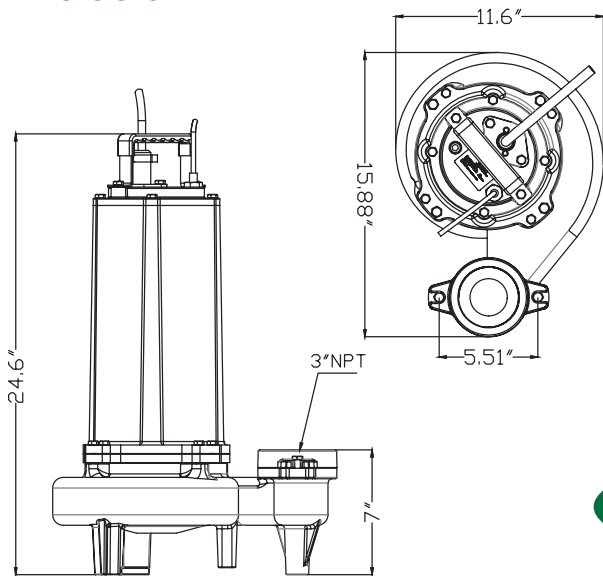
### Specifications

Model	HP	Hz	Volts/Ph	RPM	Full Load Amps	Nema Start Code	Cord Type	Cord Power Size	Cord O.D.
SWFD100M2-20	1	60	230/1	1750	10.8	P	SOW	14AWG/3C	.55
SWFD100M3-20	1	60	230/3	1750	8.0	P	SOW	16AWG/4C	.45
SWFD100M4-20	1	60	460/3	1750	4.0	P	SOW	16AWG/4C	.45
SWFD100M5-20	1	60	208/1	1750	13.0	P	SOW	16AWG/4C	.45
SWFD100M6-20	1	60	208/3	1750	8.5	P	SOW	16AWG/4C	.45

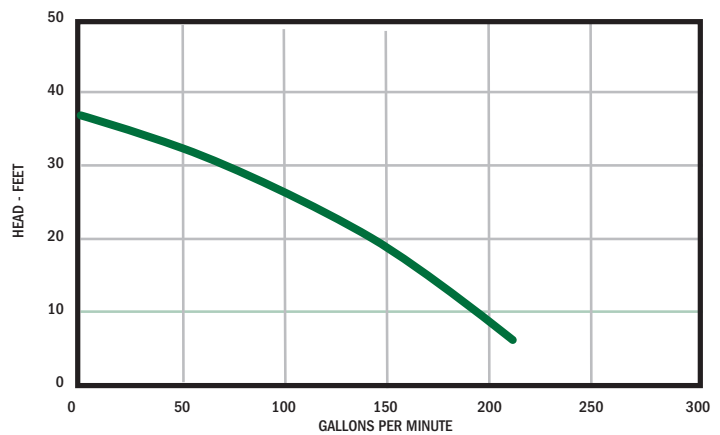
# Features



# Dimensions



# Performance Curve



P U M P

*Honest, Professional, Dependable*

1899 Cottage Street, Ashland, Ohio 44805

Telephone: 855 281-6830 • Fax: 877 326-1994 • [ashlandpump.com](http://ashlandpump.com)