

# SUMP PUMP

## Model:PS33W

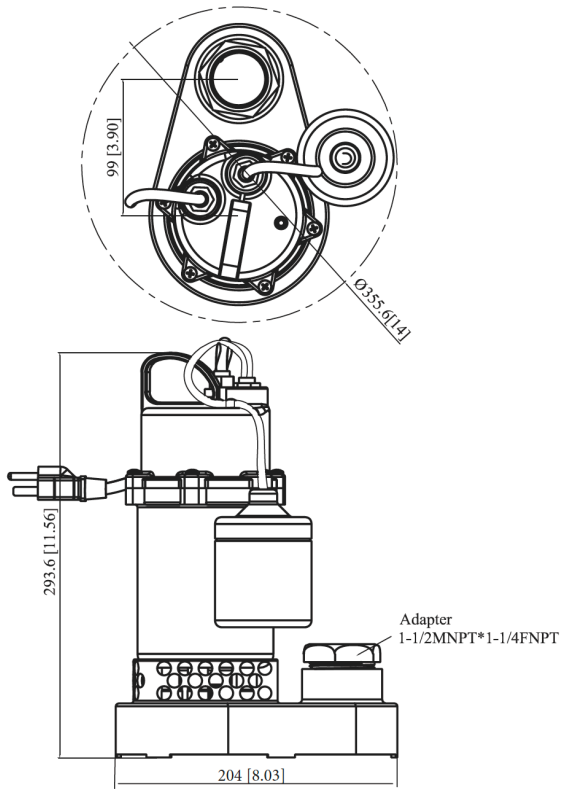


Physical Data:	
DISCHARGE SIZE	1-1/2" NPT
IMPELLER TYPE	Vortex-Plastic
CABLE LENGTH	10'
Liquid Handling:	
SOLIDS SIZE	3/8"
MAXIMUM LIQUID TEMP.	104°F – Intermittent
ACCEPTABLE PH RANGE	6-8
Temperature:	
MAXIMUM STATOR	120°C
Technical Data:	
POWER CORD TYPE	SJTW 18/3C
MOTOR HOUSING	Aluminum
CASING	Thermoplastic
IMPELLER	Thermoplastic
MOTOR SHAFT	SS430
HARDWARE	SST
"O" RINGS	NBR
SEAL	Mechanical
	Carbon Ceramic
UPPER BEARING	608
LOWER BEARING	6200
Electrical Data:	
R.P.M.	3450
MOTOR TYPE	PSC
GEN INSULATION CLASS	B
STATOR WINDING CLASS	B
MAXIMUM STATOR TEMP	120°C
VOLTAGE TOLERANCE	±10%
MOTOR PROTECTION	Thermally Protected
HP	3/10
VOLTAGE	115
PHASE	1
SERVICE FACTOR	1
FULL LOAD AMPS	5.3

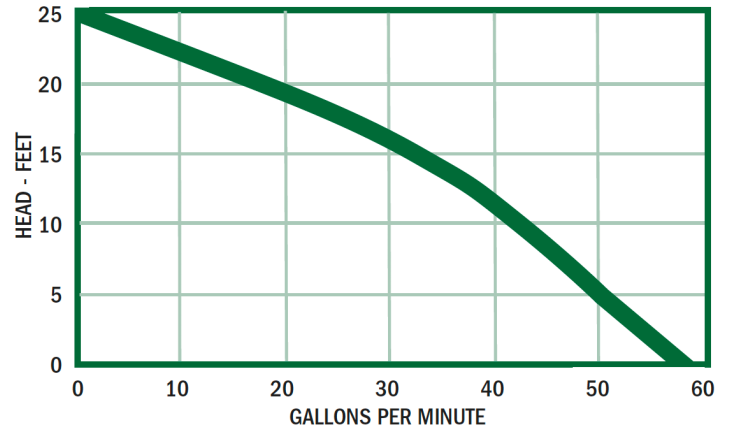
## Specifications

Model	HP	Hz	Volts/Ph	RPM	Full Load Amps	Cord Type
PS33W	1/3	60	230/1	3450	5.3	SJTW 18/3C

## Dimensions



## Performance Curve



## Performance Chart

Total Lift(feet)	0	5	10	15	20	22
GPM	58	50	41	32	16	0

**Ashland**

P U M P

*Honest, Professional, Dependable*

1899 Cottage Street, Ashland, Ohio 44805

Telephone: 855 281-6830 · Fax: 877 326-1994 · ashlandpump.com