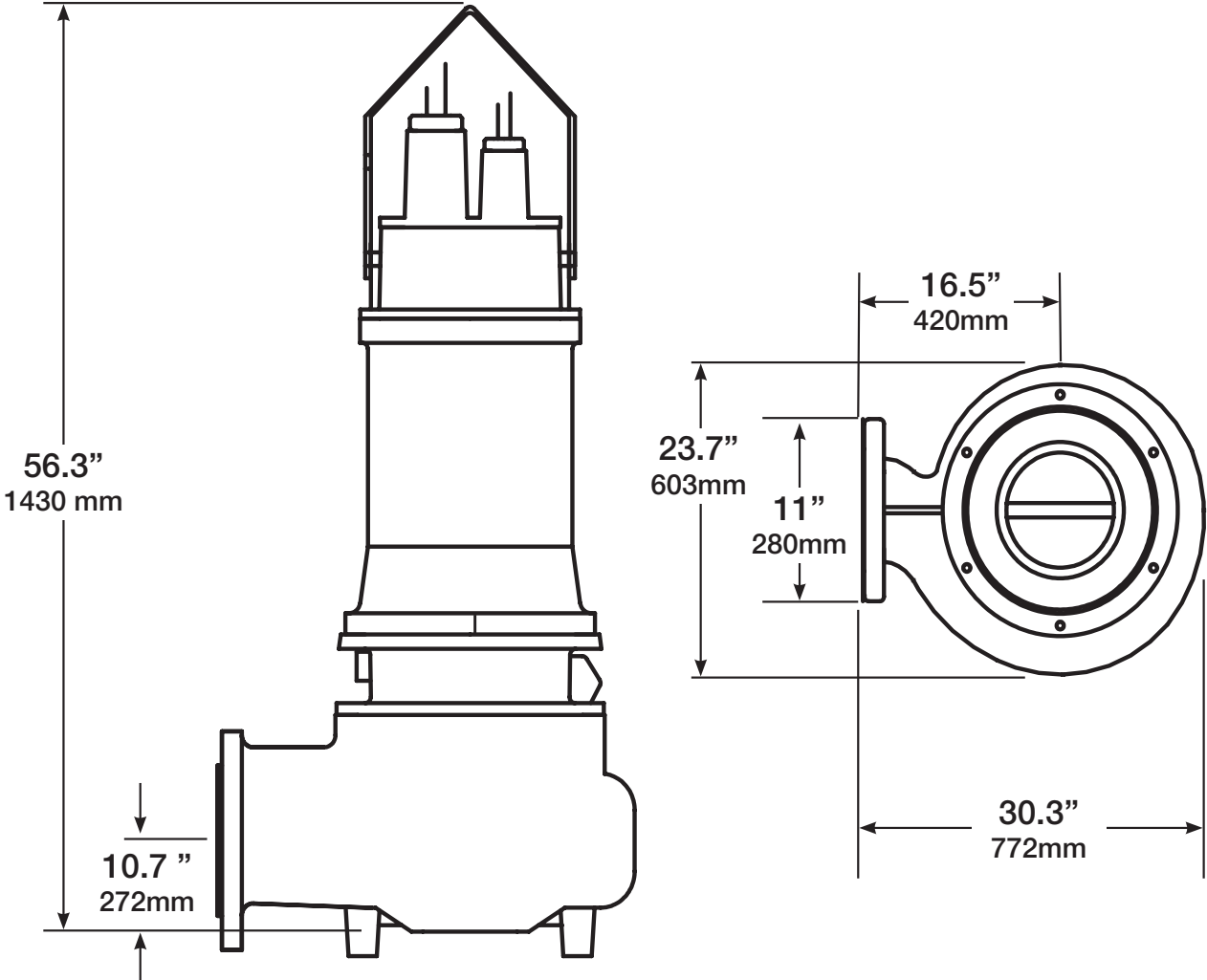


SOLIDS HANDLING PUMPS  
**6ANC5000** Dimensional Data



P U M P

*Honest, Professional, Dependable*

1899 Cottage Street, Ashland, Ohio 44805  
Telephone: 855 281-6830 • Fax: 877 326-1994 • ashlandpump.com