

SOLIDS HANDLING PUMPS
Model: 6ANC6000



Physical Data:

DISCHARGE SIZE	6"
IMPELLER TYPE	2 Vane Enclosed
CABLE LENGTH	35'

Liquid Handling:

SOLIDS HANDLING	3"
MAXIMUM LIQUID TEMP.	140°F - Intermittent 104°F - Continuous
ACCEPTABLE PH RANGE	6-8

Temperature:

WINDING INSULATION	155°C
INSULATION CLASS	F

Technical Data:

POWER CORD TYPE	S00W
SENSOR CORD TYPE	S00W
MOTOR HOUSING	Cast Iron
CASING	Cast Iron
IMPELLER	Cast Iron
MOTOR SHAFT	410 SS
HARDWARE	SST
"O" RINGS	Viton™
MECHANICAL SEALS	Inboard Mechanical Seal: Carbon-ceramic Outboard Mechanical Seal: Silicon-carbide
UPPER BEARING	6310
LOWER BEARING	3314

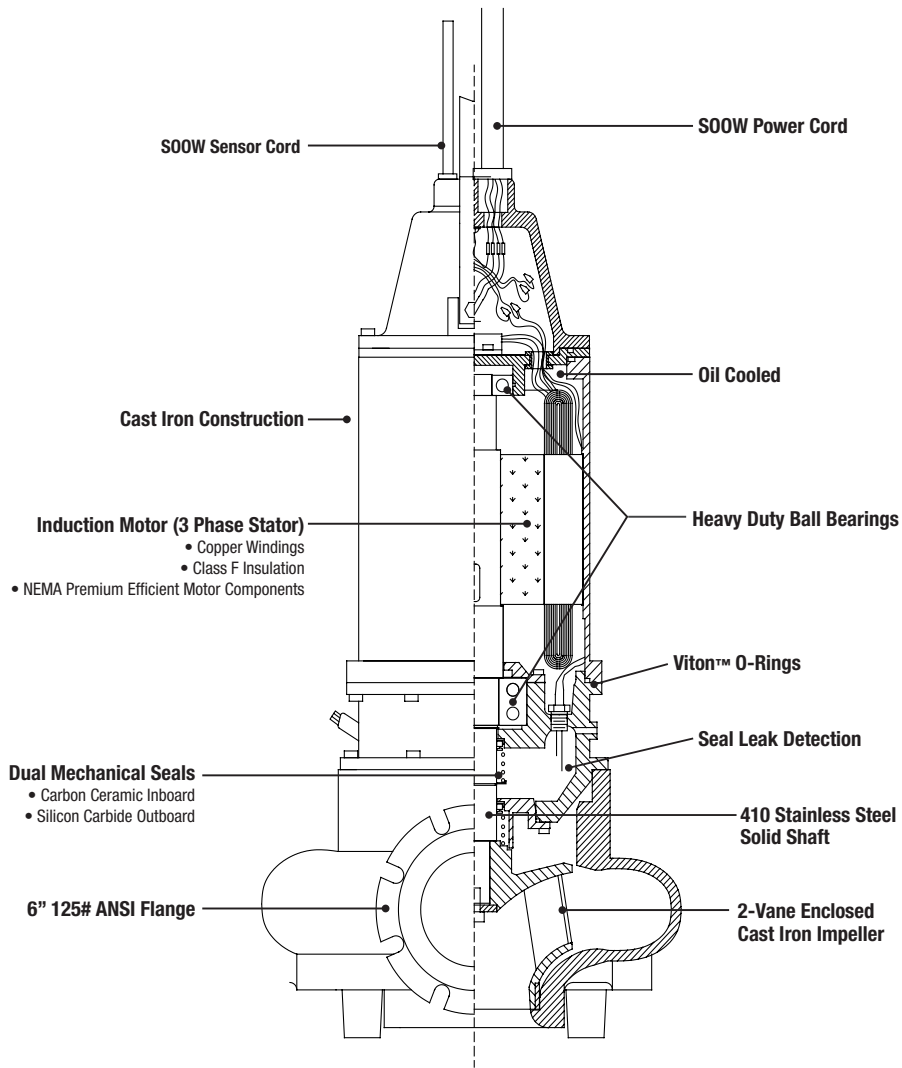
Electrical Data:

R.P.M.	1750
MOTOR TYPE	Squirrel-cage Induction
GEN INSULATION CLASS	F
STATOR WINDING CLASS	F
WINDING INSULATION TEMP	155°C
VOLTAGE TOLERANCE	±10%
HP	60
VOLTAGE	460
PHASE	3
SERVICE FACTOR	1.0

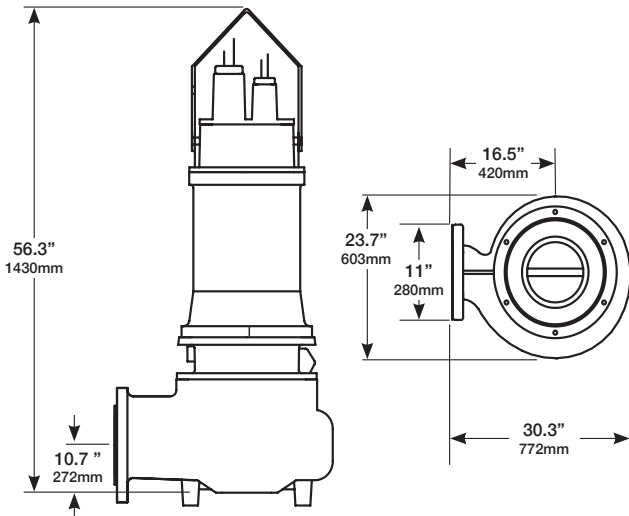


MODEL	HP	HZ	VOLTS/PH	RPM	FULL LOAD AMPS	NEMA START CODE	CORD TYPE	CORD SIZE	CORD O.D.	POTENTIAL RELAY	START CAPACITOR	RUN CAPACITOR
6ANC6000	60	60	460/3	1750	71	G	S00W	6AWG	1.08	N/A	N/A	N/A

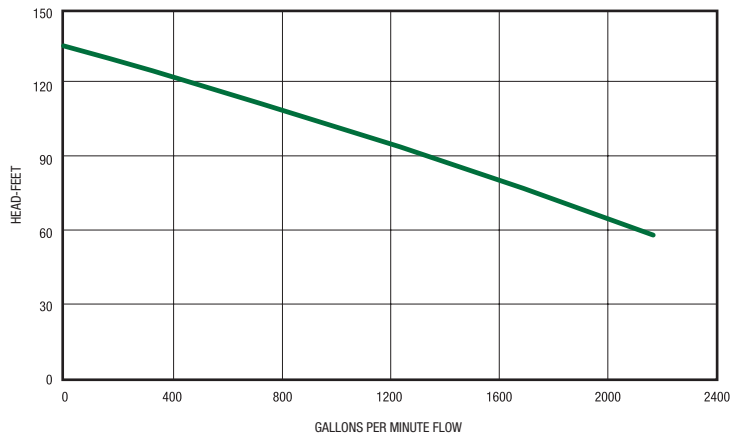
Features



Dimensions



Performance Curve



P U M P

Honest, Professional, Dependable

1899 Cottage Street, Ashland, Ohio 44805

Telephone: 855 281-6830 • Fax: 877 326-1994 • ashlandpump.com