

SOLIDS HANDLING PUMPS

Model: ANC750



Physical Data:

DISCHARGE SIZE	4"
IMPELLER TYPE	2-Vane, Enclosed - Ductile Iron
CABLE LENGTH	35'

Liquid Handling:

SOLIDS HANDLING	3"
MAXIMUM LIQUID TEMP.	140°F - Intermittent 104°F - Continuous
ACCEPTABLE PH RANGE	6-8

Temperature:

WINDING INSULATION	180°C
INSULATION CLASS	H

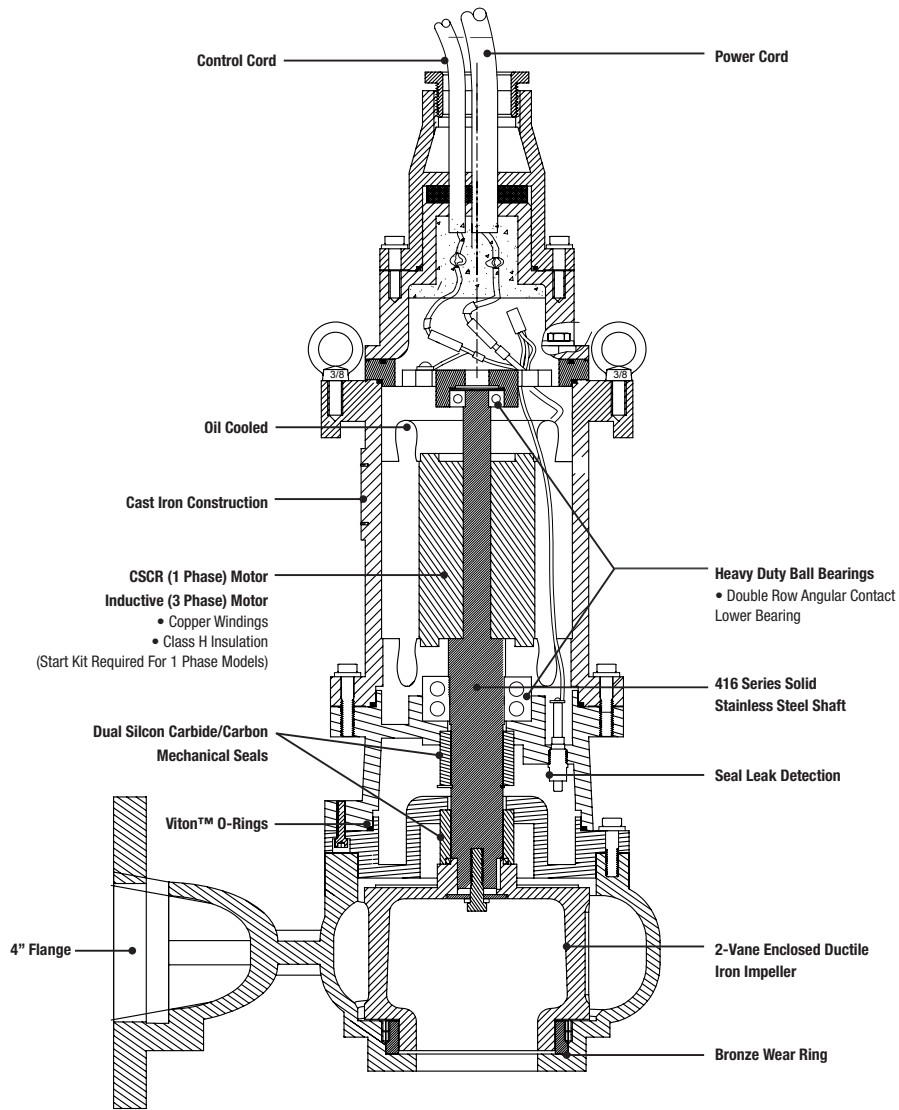
Technical Data:

POWER CORD TYPE	SOW
SENSOR CORD TYPE	18AWG SOW
MOTOR HOUSING	Class 35 Cast Iron
CASING	Class 35 Cast Iron
IMPELLER	Ductile Iron
MOTOR SHAFT	416SS
HARDWARE	SS
"O" RINGS	Viton™
MECHANICAL SEALS	SiC Dual mechanical
UPPER BEARING	6204
LOWER BEARING	5308 Angular Contact

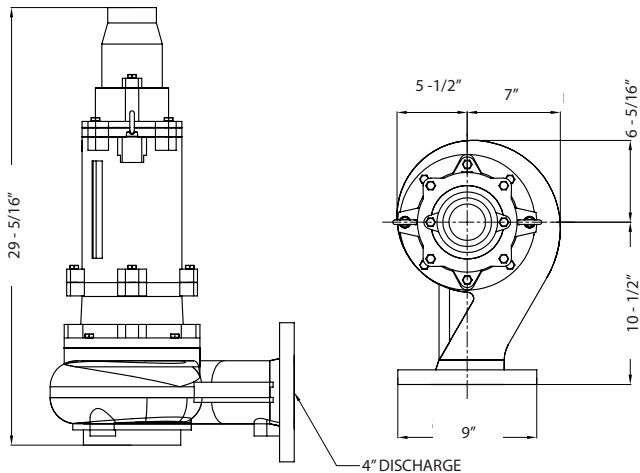
Electrical Data:

R.P.M.	1750
MOTOR TYPE	CSCR (1PH), Induction (3PH)
GEN INSULATION CLASS	H
STATOR WINDING CLASS	H
WINDING INSULATION TEMP	180°C
VOLTAGE TOLERANCE	±10%
HP	7.5
VOLTAGE	208/230/460
PHASE	1/3
SERVICE FACTOR	1.42

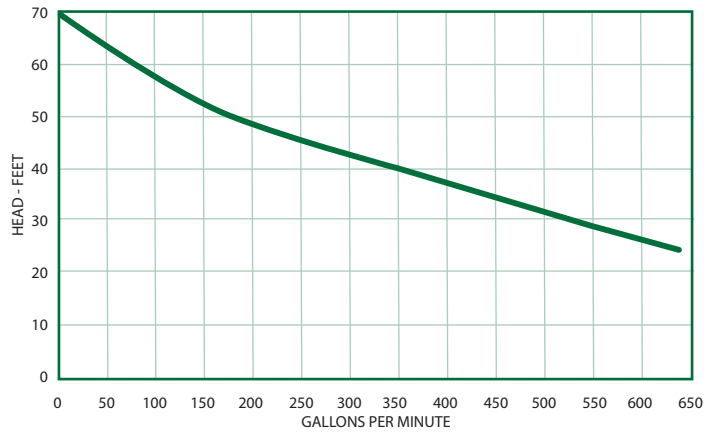
MODEL	HP	HZ	VOLTS/PH	RPM	FULL LOAD AMPS	NEMA START CODE	CORD TYPE	CORD SIZE	CORD O.D.	POTENTIAL RELAY	START CAPACITOR	RUN CAPACITOR
ANC750M2-35	7.5	60	230/1	1750	58.2	D	SOW	6AWG/4C	1.20	ICM CONTROLS UMSR-50-LF	161-193UF-220 VAC	15uF±5%-370VAC
ANC750M3-35	7.5	60	230/3	1750	30.8	E	SOW	8AWG/4C	1.05	N/A	N/A	N/A
ANC750M4-35	7.5	60	460/3	1750	15.4	E	SOW	8AWG/4C	1.05	N/A	N/A	N/A
ANC750M5-35	7.5	60	208/1	1750	60.0	D	SOW	6AWG/4C	1.20	ICM CONTROLS UMSR-50-LF	161-193UF-220 VAC	15uF±5%-370VAC
ANC750M6-35	7.5	60	208/3	1750	31	E	SOW	8AWG/4C	1.05	N/A	N/A	N/A



Dimensions



Performance Curve



P U M P

Honest, Professional, Dependable

1899 Cottage Street, Ashland, Ohio 44805

Telephone: 855 281-6830 • Fax: 877 326-1994 • ashlandpump.com