

EFFLUENT PUMPS

Model: EP75



Features

- Heavy duty cast iron construction
- Oil-filled continuous duty rated PSC motor
- 2-vane, enclosed cast iron impeller
- Upper and lower ball bearing design
- 3/4" solids handling
- 2" NPT discharge

Specifications

Physical Data:

DISCHARGE SIZE	2" NPT
IMPELLER TYPE	2-vane, enclosed
CABLE LENGTH	20'

Liquid Handling:

MAXIMUM LIQUID TEMP.	104°F - Intermittent
ACCEPTABLE PH RANGE	6-8

Temperature:

MAXIMUM STATOR	120°C
----------------	-------

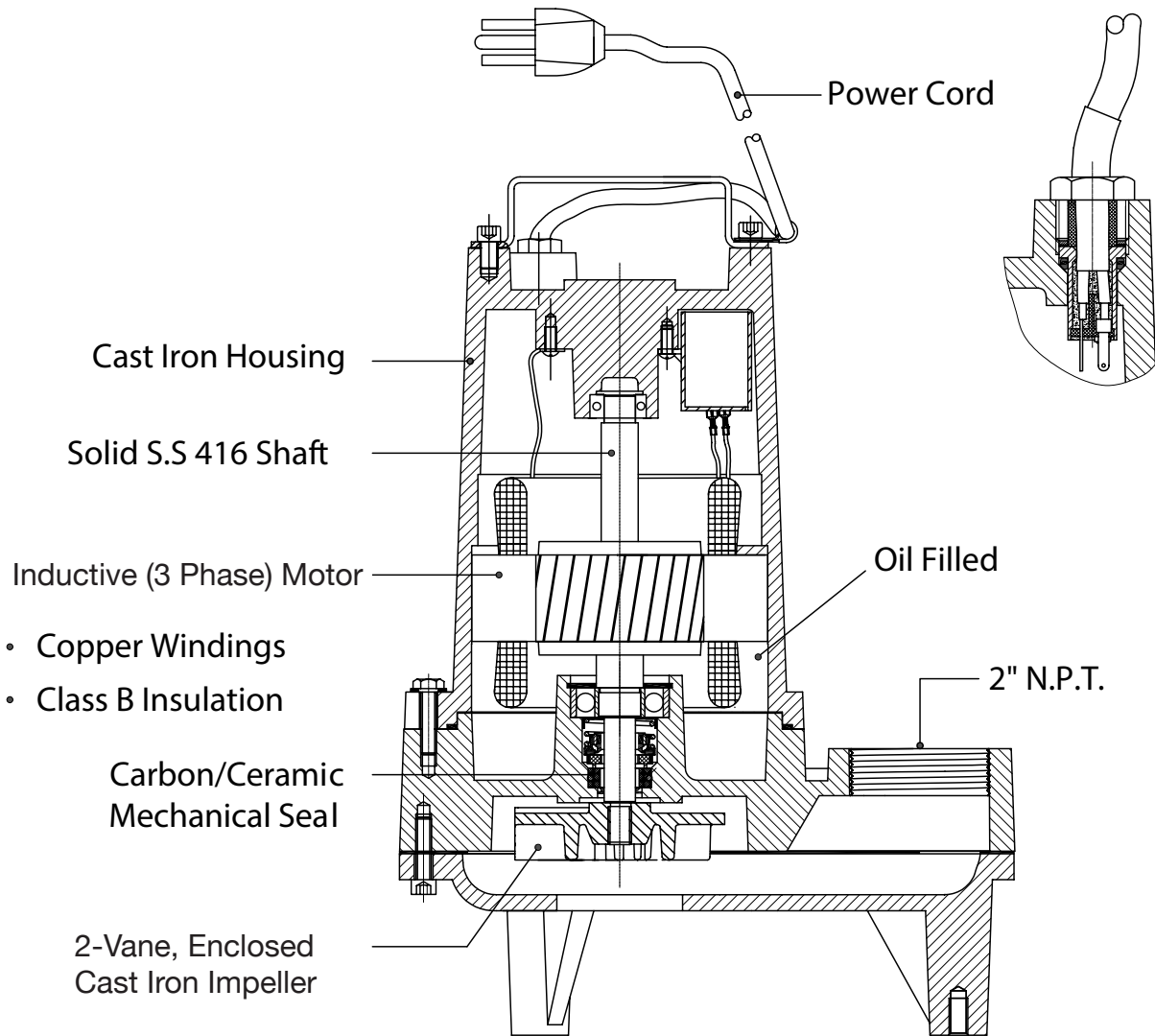
Technical Data:

POWER CORD TYPE	SOW
MOTOR HOUSING	Cast Iron
CASING	Cast Iron
IMPELLER	Cast Iron
MOTOR SHAFT	SS416
HARDWARE	SST
"O" RINGS	NBR
MECHANICAL SEAL	Single Mechanical, Carbon Ceramic
UPPER BEARING	6203
LOWER BEARING	6203

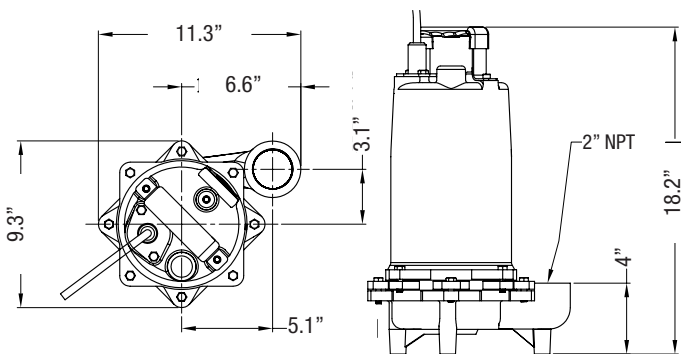
Specifications

MODEL	HP	HZ	VOLTS/PH	RPM	FULL LOAD AMPS	NEMA START CODE	CORD TYPE	CORD SIZE	CORD O.D.	RUN CAPACITOR
EP75M1-20	3/4	60	115/1	3450	13.0	H	SOW	16AWG/3C	0.385-0.430	450V 35MFD±5%
EP75M2-20	3/4	60	230/1	3450	6.5	H	SOW	16AWG/3C	0.385-0.430	450V 35MFD±5%
EP75M3-20	3/4	60	230/3	3450	4.7	H	SOW	16AWG/4C	0.410-0.460	N/A
EP75M4-20	3/4	60	460/3	3450	2.3	H	SOW	16AWG/4C	0.410-0.460	N/A
EP75M5-20	3/4	60	208/1	3450	8.2	H	SOW	16AWG/3C	0.385-0.430	450V 35MFD±5%
EP75M6-20	3/4	60	208/3	3450	5.0	H	SOW	16AWG/4C	0.410-0.460	N/A

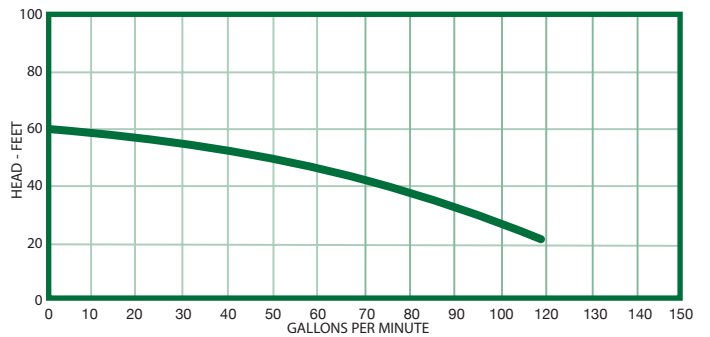
Features



Dimensions



Performance Curve



Ashland[®]

P U M P

Honest, Professional, Dependable

1899 Cottage Street, Ashland, Ohio 44805
 Telephone: 855 281-6830 • Fax: 877 326-1994 • ashlandpump.com