

SOLIDS HANDLING PUMPS

Model: 8ANC10000



PHYSICAL DATA:

| | |
|----------------|-----------------|
| DISCHARGE SIZE | 8" |
| IMPELLER TYPE | 2 Vane Enclosed |
| CABLE LENGTH | 35' |

LIQUID HANDLING:

| | |
|----------------------|--|
| SOLIDS HANDLING | 3" |
| MAXIMUM LIQUID TEMP. | 140°F – Intermittent 104°F – Continuous |
| ACCEPTABLE PH RANGE | 6-8 |

TEMPERATURE:

| | |
|--------------------|-------|
| WINDING INSULATION | 155°C |
| INSULATION CLASS | F |

TECHNICAL DATA:

| | |
|------------------|--|
| POWER CORD TYPE | G-GC |
| SENSOR CORD TYPE | S00W |
| MOTOR HOUSING | Cast Iron |
| CASING | Cast Iron |
| IMPELLER | Cast Iron |
| MOTOR SHAFT | 410 SS |
| HARDWARE | SST |
| "O" RINGS | Viton™ |
| MECHANICAL SEALS | Inboard Mechanical Seal: Carbon-ceramic Outboard Mechanical Seal: Silicon-carbide |
| UPPER BEARING | 6310 |
| LOWER BEARING | 3314 |

ELECTRICAL DATA:

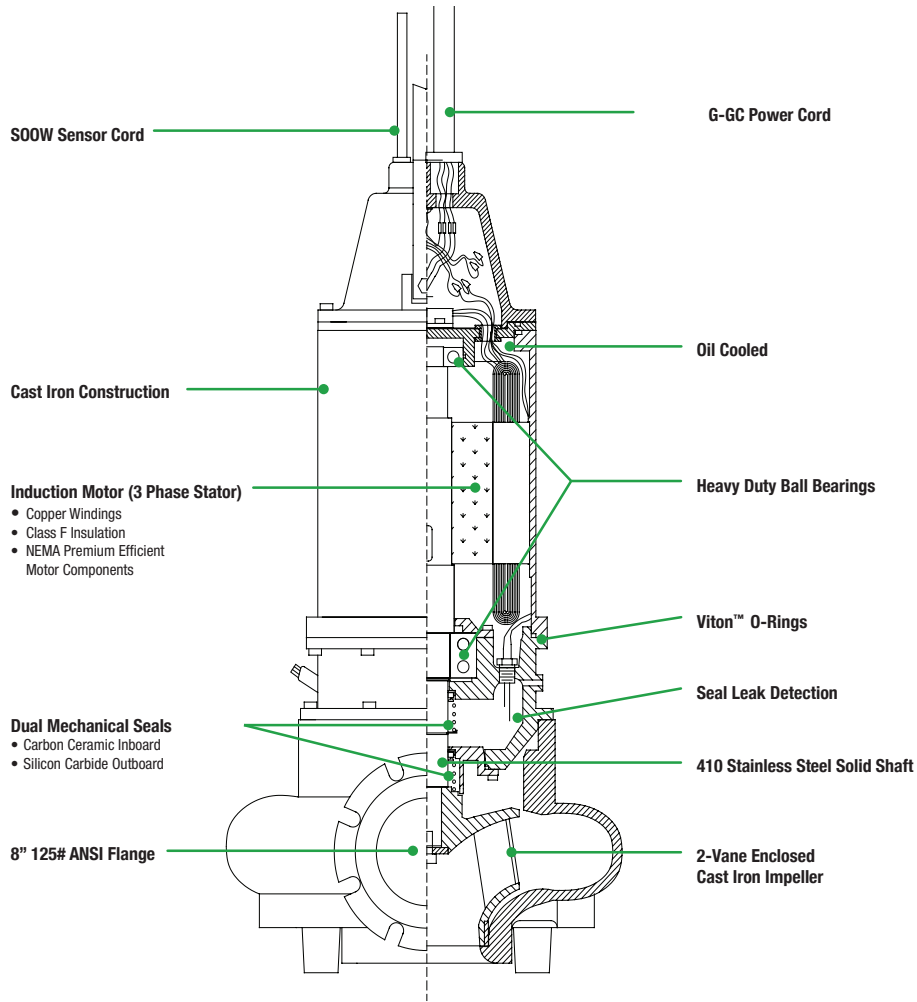
| | |
|-------------------------|-------------------------|
| R.P.M. | 1750 |
| MOTOR TYPE | Squirrel-cage Induction |
| GEN INSULATION CLASS | F |
| STATOR WINDING CLASS | F |
| WINDING INSULATION TEMP | 155°C |
| VOLTAGE TOLERANCE | ±10% |
| HP | 100 |
| VOLTAGE | 460 |
| PHASE | 3 |
| SERVICE FACTOR | 1.0 |

2-Vane Enclosed
Cast Iron Impeller

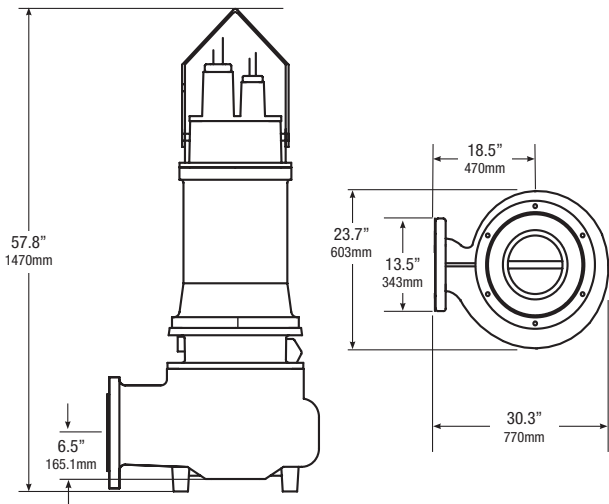


| MODEL | HP | HZ | VOLTS/PH | RPM | FULL LOAD AMPS | NEMA START CODE | CORD TYPE | CORD SIZE | CORD O.D. |
|-------------|-----|----|----------|------|----------------|-----------------|-----------|-----------|-----------|
| 8ANC10000M4 | 100 | 60 | 460/3 | 1750 | 118 | E | G-GC | 0/3 | 1.80 |

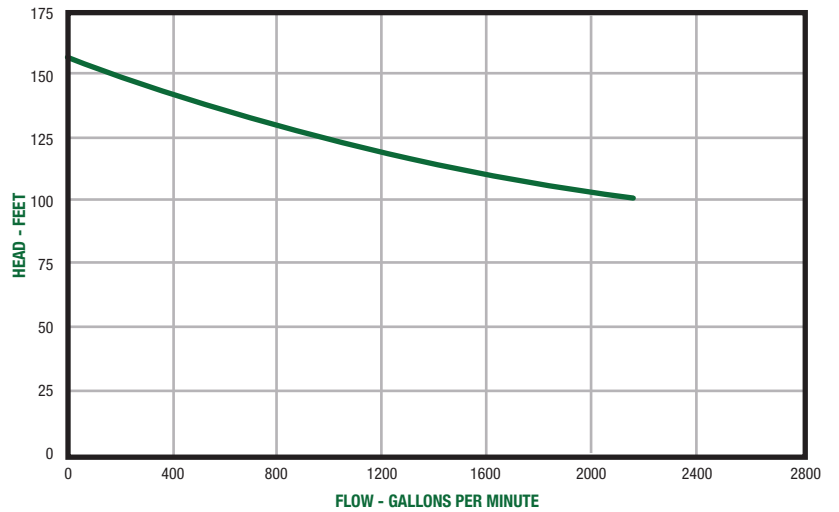
FEATURES



DIMENSIONS



PERFORMANCE CURVE



P U M P

Honest, Professional, Dependable

1191 Commerce Parkway, Ashland, Ohio 44805
 Telephone: 855 281-6830 • Fax: 877 326-1994 • ashlandpump.com