

SOLIDS HANDLING PUMPS

Model: 12ANC6000



PHYSICAL DATA:

DISCHARGE SIZE	12"
IMPELLER TYPE	2 Vane Enclosed
CABLE LENGTH	35'

LIQUID HANDLING:

SOLIDS HANDLING	4"
MAXIMUM LIQUID TEMP.	140°F – Intermittent 104°F – Continuous
ACCEPTABLE PH RANGE	6-8

TEMPERATURE:

WINDING INSULATION	155°C
INSULATION CLASS	F

TECHNICAL DATA:

POWER CORD TYPE	SOOW
SENSOR CORD TYPE	SOOW
MOTOR HOUSING	Cast Iron
CASING	Cast Iron
IMPELLER	Cast Iron
MOTOR SHAFT	410 SS
HARDWARE	SST
"O" RINGS	Viton™
MECHANICAL SEALS	Inboard Mechanical Seal: Carbon-ceramic Outboard Mechanical Seal: Silicon-carbide
UPPER BEARING	6310
LOWER BEARING	3314

ELECTRICAL DATA:

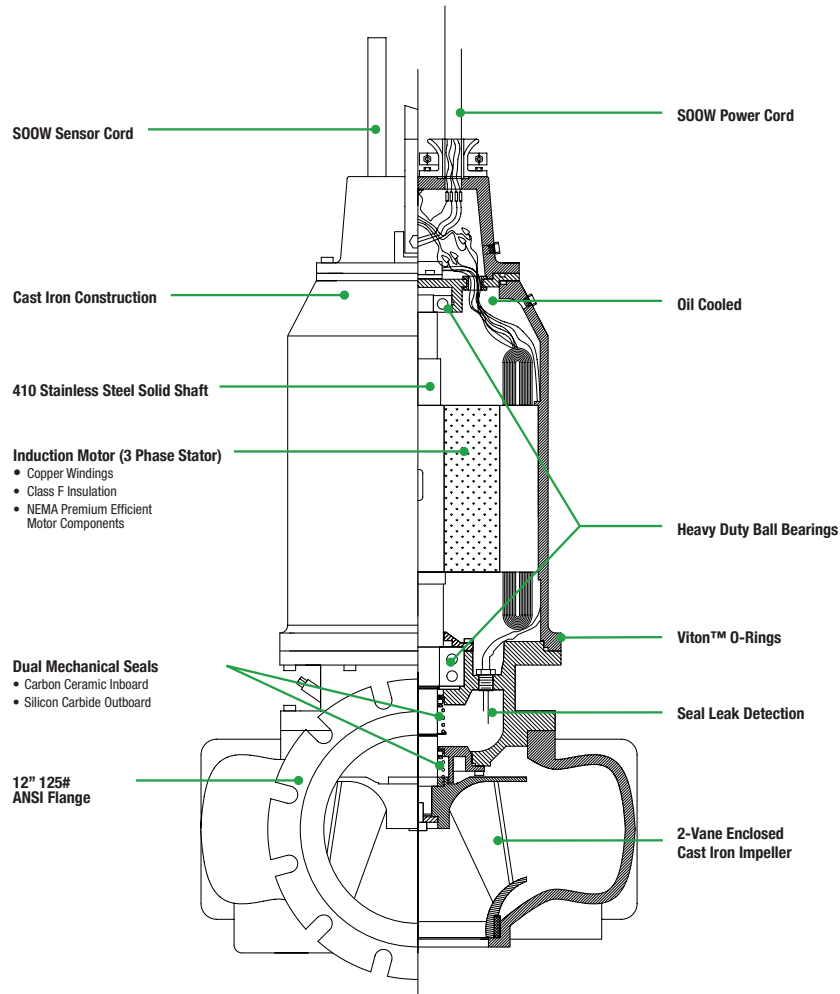
R.P.M.	1180
MOTOR TYPE	Squirrel-cage Induction
GEN INSULATION CLASS	F
STATOR WINDING CLASS	F
WINDING INSULATION TEMP	155°C
VOLTAGE TOLERANCE	±10%
HP	60
VOLTAGE	460
PHASE	3
SERVICE FACTOR	1.0

2-Vane Enclosed
Cast Iron Impeller

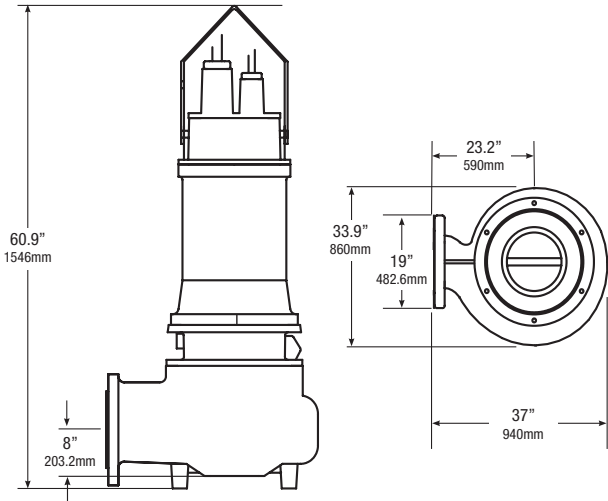


MODEL	HP	HZ	VOLTS/PH	RPM	FULL LOAD AMPS	NEMA START CODE	CORD TYPE	CORD SIZE	CORD O.D.
12ANC6000M4	60	60	460/3	1180	75	C	SOOW	6AWG (2)	1.08

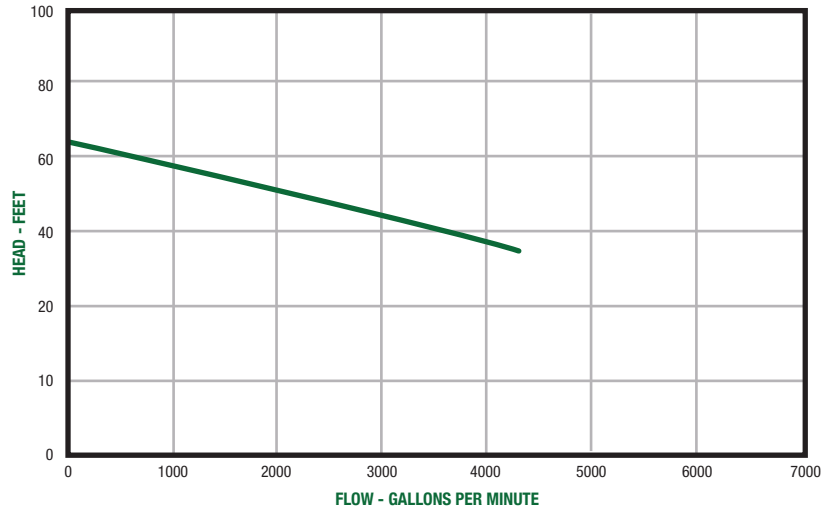
FEATURES



DIMENSIONS



PERFORMANCE CURVE



P U M P

Honest, Professional, Dependable

1191 Commerce Parkway, Ashland, Ohio 44805

Telephone: 855 281-6830 • Fax: 877 326-1994 • ashlandpump.com