

SOLIDS HANDLING PUMPS

Model: 4ANCM1500



PHYSICAL DATA:

DISCHARGE SIZE	4"
IMPELLER TYPE	Mono-Vane
CABLE LENGTH	35'

LIQUID HANDLING:

SOLIDS HANDLING	3"
MAXIMUM LIQUID TEMP.	140°F – Intermittent 104°F – Continuous
ACCEPTABLE PH RANGE	6-8

TEMPERATURE:

WINDING INSULATION	155°C
INSULATION CLASS	F

TECHNICAL DATA:

POWER CORD TYPE	S00W
SENSOR CORD TYPE	S00W
MOTOR HOUSING	Cast Iron
CASING	Cast Iron
IMPELLER	Cast Iron
MOTOR SHAFT	410 SS
HARDWARE	SST
"O" RINGS	Viton™
MECHANICAL SEALS	Inboard Mechanical Seal: Carbon-ceramic Outboard Mechanical Seal: Silicon-carbide
UPPER BEARING	6306
LOWER BEARING	3209

ELECTRICAL DATA:

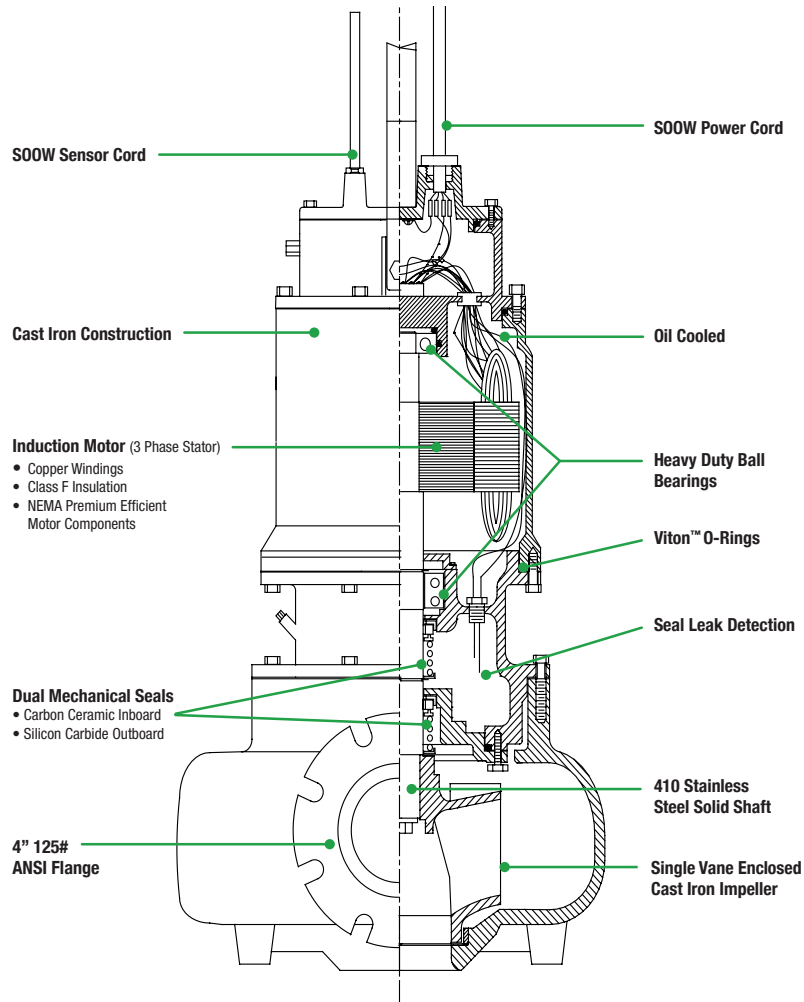
R.P.M.	1750
MOTOR TYPE	Squirrel-cage Induction
GEN INSULATION CLASS	F
STATOR WINDING CLASS	F
WINDING INSULATION TEMP	155°C
VOLTAGE TOLERANCE	±10%
HP	15
VOLTAGE	230/460
PHASE	3
SERVICE FACTOR	1.0

2-Vane Enclosed
Cast Iron Impeller

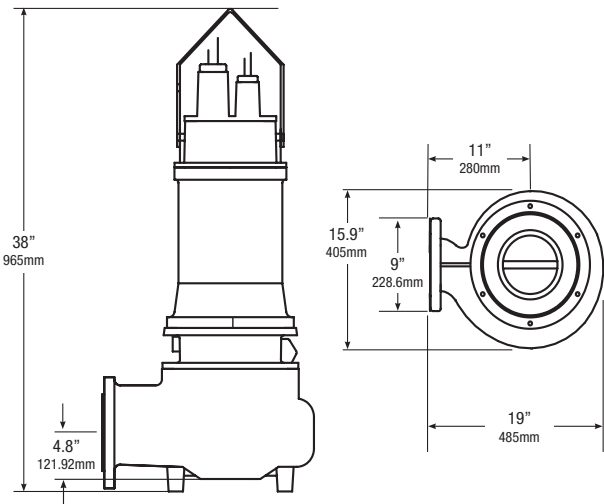


MODEL	HP	HZ	VOLTS/PH	RPM	FULL LOAD AMPS	NEMA START CODE	CORD TYPE	CORD SIZE	CORD O.D.
4ANCM1500M3	15	60	230/3	1750	43	E	S00W	6AWG	1.08
4ANCM1500M4	15	60	460/3	1750	21.5	E	S00W	6AWG	1.08

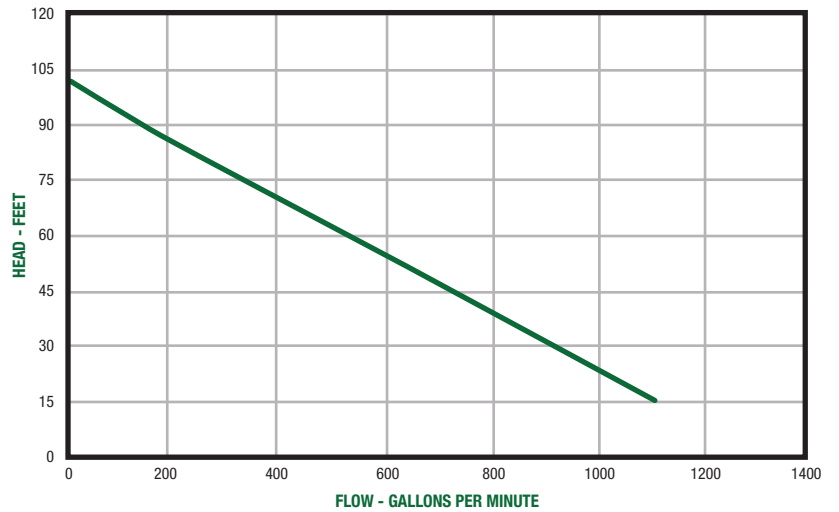
FEATURES



DIMENSIONS



PERFORMANCE CURVE



P U M P

Honest, Professional, Dependable

1191 Commerce Parkway, Ashland, Ohio 44805

Telephone: 855 281-6830 • Fax: 877 326-1994 • ashlandpump.com