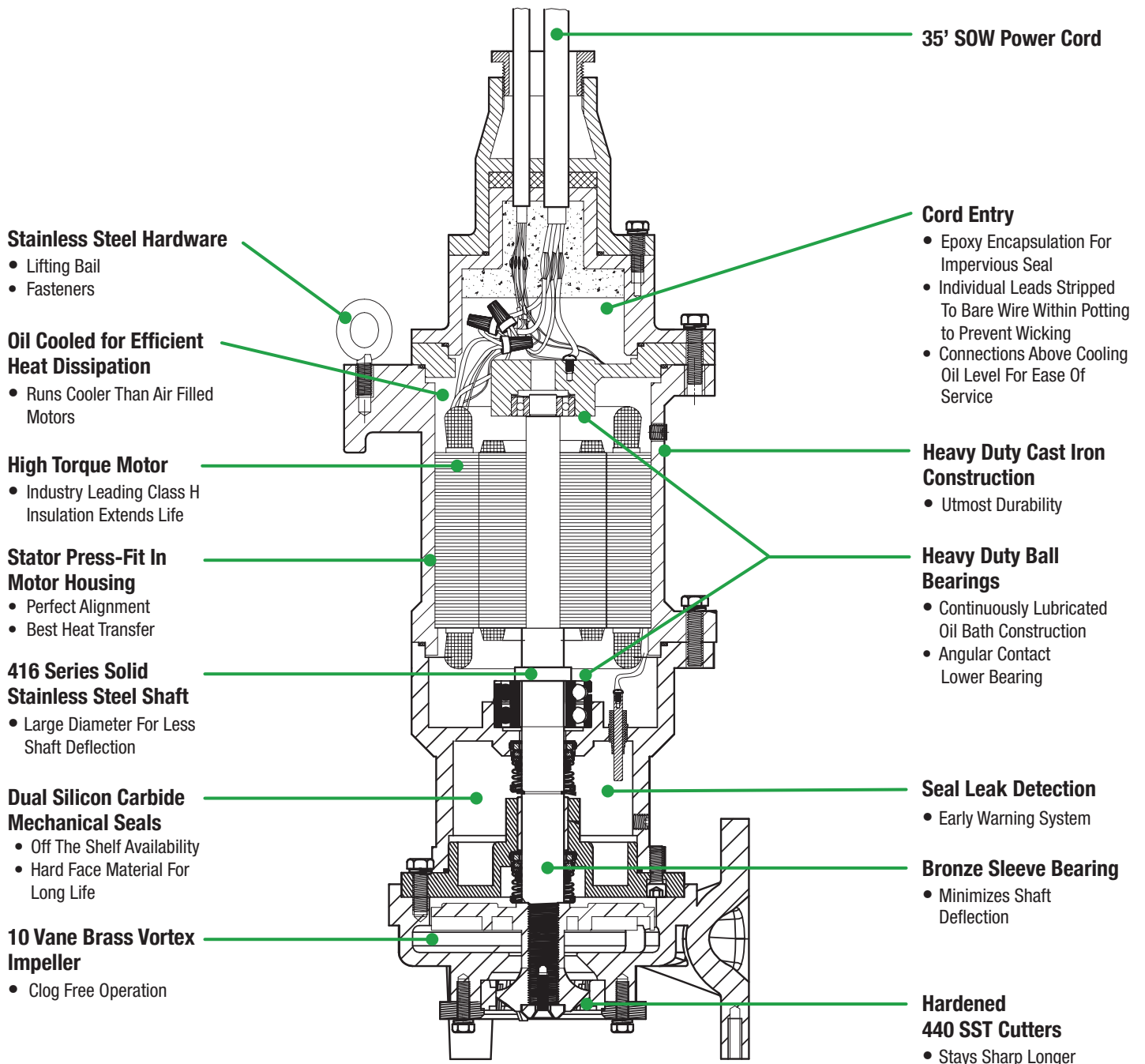


# GRINDER PUMPS

## Features: **AGP500**



P U M P

*Honest, Professional, Dependable*

1191 Commerce Parkway, Ashland, Ohio 44805  
Telephone: 855 281-6830 • Fax: 877 326-1994 • ashlandpump.com