

GRINDER PUMPS

Model: AGP500



PHYSICAL DATA:

DISCHARGE SIZE	2-1/2"
IMPELLER TYPE	10-Vane, Vortex-Brass
CABLE LENGTH	35'

LIQUID HANDLING:

MAXIMUM LIQUID TEMP.	140°F – Intermittent
ACCEPTABLE PH RANGE	6-8

TEMPERATURE:

MAXIMUM STATOR	180°C
INSULATION CLASS	H

TECHNICAL DATA:

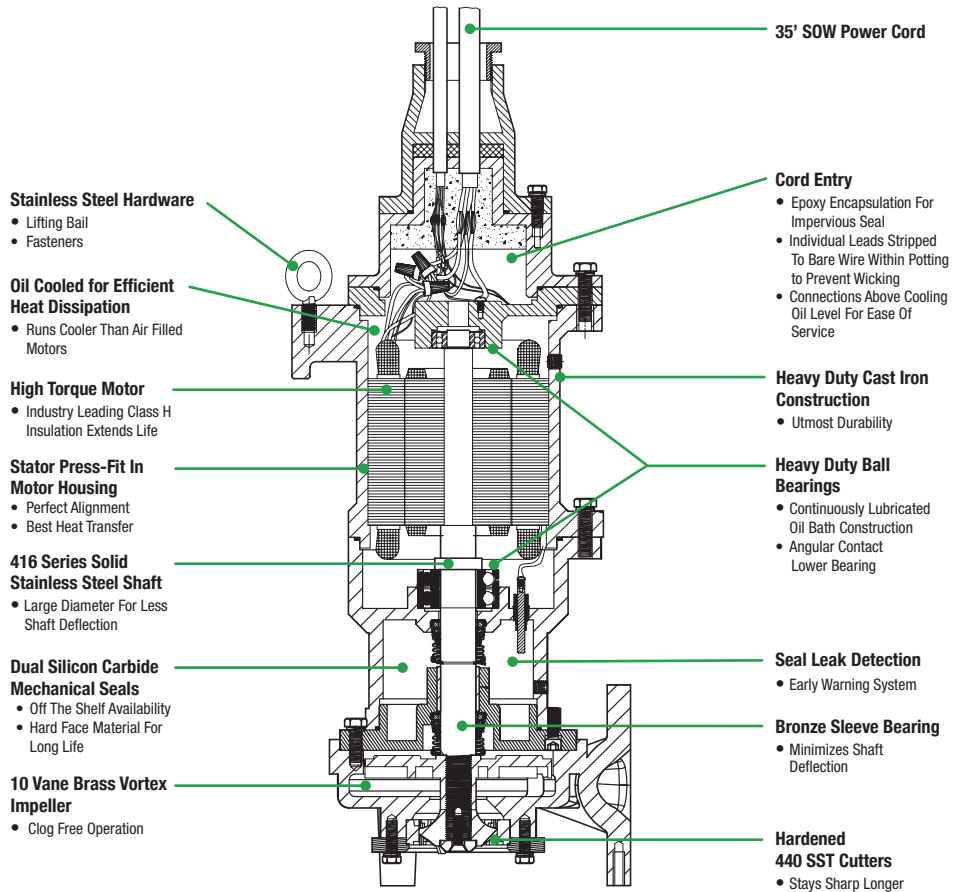
SENSOR CORD TYPE	SOW
MOTOR HOUSING	Cast Iron
CASING	Cast Iron
IMPELLER	Brass
MOTOR SHAFT	416 SS
HARDWARE	SS
"O" RINGS	Viton™
MECHANICAL SEALS	SiC
UPPER BEARING	6204
LOWER BEARING	3207 Double Row Angular Contact

ELECTRICAL DATA:

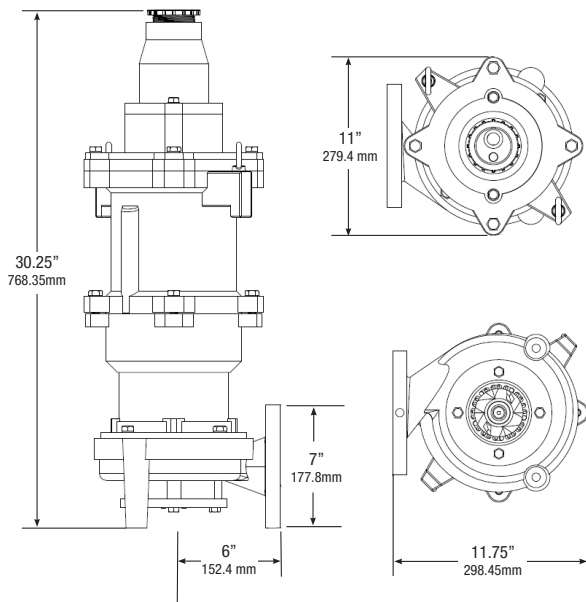
R.P.M.	3450
MOTOR TYPE	CSCR (1PH), Induction (3PH)
GEN INSULATION CLASS	H
STATOR WINDING CLASS	H
WINDING INSULATION TEMP	180°C
VOLTAGE TOLERANCE	±10%
HP	5
VOLTAGE	208/230/460
PHASE	1/3
SERVICE FACTOR	1.4

MODEL	HP	HZ	VOLTS /PH	RPM	FULL LOAD	NEMA START AMPS	CORD TYPE CODE	CORD SIZE	CORD O.D.	POTENTIAL RELAY	START CAPACITOR	RUN CAPACITOR
AGP500M2-35	5	60	230/1	3450	35.2	F	SOW	8AWG/4C	.96	ICM CONTROLS USMR-50	430-516uF-250 VAC	30uF±5%-370VAC
AGP500M3-35	5	60	230/3	3450	20.7	K	SOW	12AWG/4C	.68	N/A	N/A	N/A
AGP500M4-35	5	60	460/3	3450	10.3	K	SOW	12AWG/4C	.68	N/A	N/A	N/A
AGP500M5-35	5	60	208/1	3450	37	F	SOW	8AWG/4C	.96	ICM CONTROLS USMR-50	430-516uF-250 VAC	30uF±5%-370VAC
AGP500M6-35	5	60	208/3	3450	25	K	SOW	12AWG/4C	.68	N/A	N/A	N/A

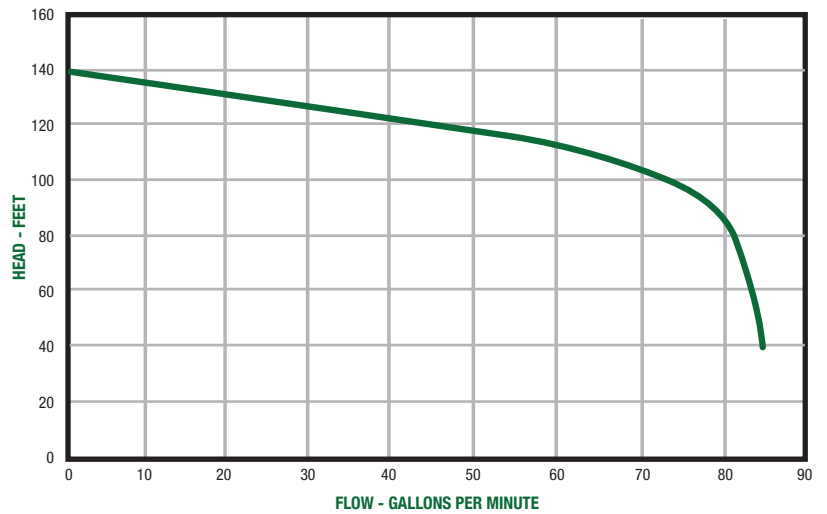
FEATURES



DIMENSIONS



PERFORMANCE CURVE



P U M P

Honest, Professional, Dependable

1191 Commerce Parkway, Ashland, Ohio 44805
 Telephone: 855 281-6830 • Fax: 877 326-1994 • ashlandpump.com