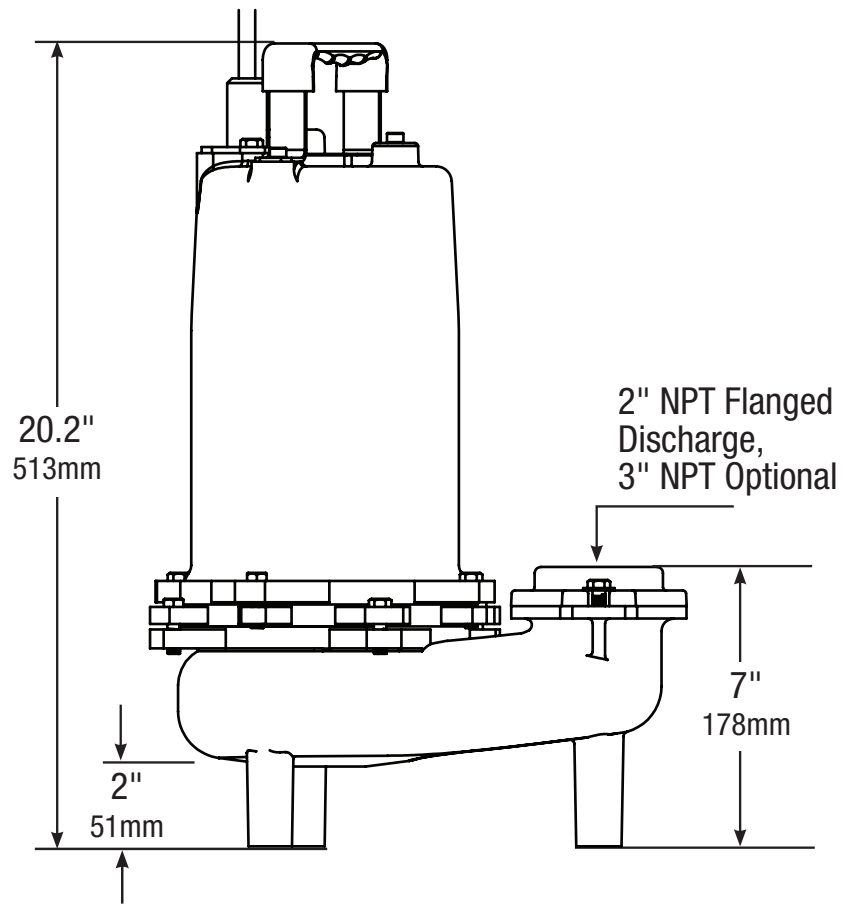
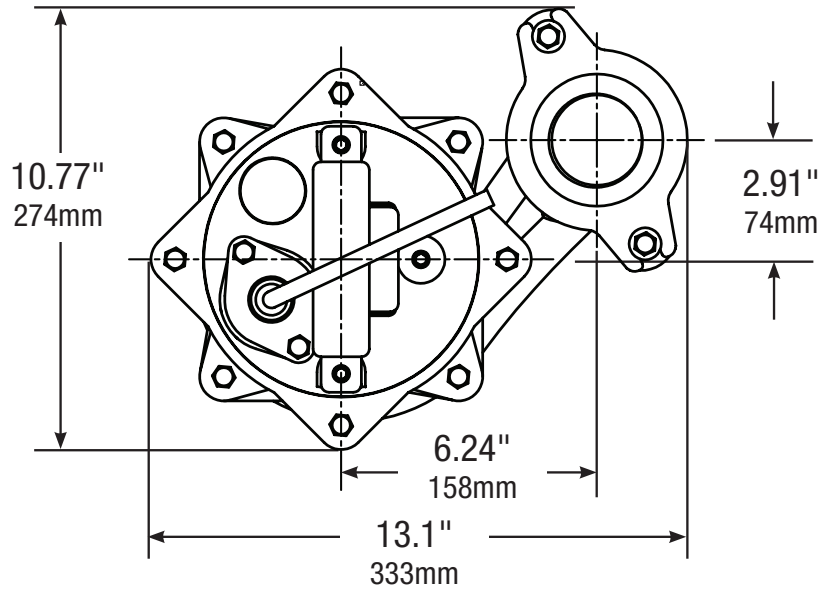


SEWAGE PUMPS

Dimensional Data: **SWH50**



P U M P

*Honest, Professional, Dependable*

1191 Commerce Parkway, Ashland, Ohio 44805

Telephone: 855 281-6830 • Fax: 877 326-1994 • ashlandpump.com